

A 64-channel waveform sampling ASIC for SiPM in space-born applications

Original

A 64-channel waveform sampling ASIC for SiPM in space-born applications / Tedesco, Silvia; Di Salvo, Andrea; Rivetti, Angelo; Bertaina, Mario. - In: JOURNAL OF INSTRUMENTATION. - ISSN 1748-0221. - ELETTRONICO. - 18:(2023). [10.1088/1748-0221/18/02/C02022]

Availability:

This version is available at: 11583/2974496 since: 2023-01-11T08:46:01Z

Publisher:

IOP Publishing

Published

DOI:10.1088/1748-0221/18/02/C02022

Terms of use:

This article is made available under terms and conditions as specified in the corresponding bibliographic description in the repository

Publisher copyright

IOP postprint/Author's Accepted Manuscript

"This is the accepted manuscript version of an article accepted for publication in JOURNAL OF INSTRUMENTATION. IOP Publishing Ltd is not responsible for any errors or omissions in this version of the manuscript or any version derived from it. The Version of Record is available online at <http://dx.doi.org/10.1088/1748-0221/18/02/C02022>

(Article begins on next page)

1 PREPARED FOR SUBMISSION TO JINST
2 TOPICAL WORKSHOP ON ELECTRONICS FOR PARTICLE PHYSICS TWEPP 2022
3 19-23 SEPTEMBER 2022
4 BERGEN - NORWAY

5 **A 64-channel waveform sampling ASIC for SiPM in** 6 **space-born applications**

7 **S. Tedesco,^{a,1} A. Di Salvo,^b A. Rivetti^b and M. Bertaina^c**

8 ^a*Politecnico di Torino, Corso Duca degli Abruzzi, 24, Torino, Italy*

9 ^b*IEEE Member, INFN sezione di Torino, via Pietro Giuria 1, Torino, Italy*

10 ^c*Università degli Studi di Torino, via Pietro Giuria 1, Torino, Italy*

11 *E-mail: silvia_tedesco@polito.it*

12 **ABSTRACT:** The architecture of a 64-channel ASIC for the readout of Silicon Photomultipliers in
13 space experiments is described. Each channel embeds a front-end amplifier with a common gate
14 topology followed by a 256 cells analogue memory with a sampling frequency of 200 MHz. A
15 single memory cell includes a storage capacitor, a single-slope Analog-to-Digital Converter (ADC)
16 with programmable resolution between 8 and 12 bits and the digital control logic. To save power,
17 the A/D conversion is carried-out only when a trigger signal is received. The trigger can either be
18 generated inside the ASIC or provided by an external source. The analogue samples are digitized in
19 parallel, thus reducing the conversion dead time. The memory cells can be arranged in a single array
20 or they can be grouped in shorter slots of 32 or 64 cells that work in a multi-buffer configuration.
21 The channels can work independently or they can be synchronised to acquire the same time-frame
22 in the full chip. The target power consumption is 5 mW/channel. The ASIC is being designed in a
23 65-nm CMOS technology. A digital-on-top flow is applied for the integration and final validation
24 of the chip. The tape-out is scheduled in the first quarter of 2023.

25 **KEYWORDS:** VLSI circuits, Front-end electronics for detector readout

¹Corresponding author.

26	Contents	
27	1 Introduction	1
28	2 ASIC architecture	1
29	2.1 Front-End	2
30	2.2 Analog Memory	2
31	3 Conclusions	5

32 1 Introduction

33 Silicon Photomultipliers (SiPMs) are today employed in many different fields such as High Energy
 34 Physics (HEP) instrumentation [1], LIDAR [2] and Positron Emission Tomography (PET)[3]. Due
 35 to their good detection efficiency, compactness and capability to work with moderate power supply
 36 voltages they are becoming even more attractive also for space-born applications. SiPM are con-
 37 sidered, for instance, to equip on board cameras of future satellite-based cosmic ray observatories.
 38 In this context, they will be used to detect the Cherenkov light produced by the interaction of
 39 Ultra-High Energy Cosmic Rays (UHECRs) and neutrinos with the terrestrial atmosphere [5].

40 Two common approaches to readout SiPMs rely on charge integration [6] or photon counting
 41 technique [7]. However, these solutions do not allow studying in detail the signal waveform and,
 42 as a consequence, to distinguish the signal of interest from spurious signals created by the direct
 43 interaction of cosmic rays within the sensor. For the method to be effective, the waveform should
 44 be captured with a sampling frequency of at least 100 Ms/s. A large dynamic range (up to 12 bits)
 45 is also required as the energy of the primary particle can span several orders of magnitudes. High
 46 integration density is desired to keep the overall system compact and lightweight and low power
 47 dissipation is mandatory. Therefore, a single channel should offer a complete signal processing
 48 chain with a power budget of only a few milliwatts. Care must be paid to radiation tolerance as
 49 well, with particular emphasis on Single Event Effects. On the basis of these considerations, the
 50 design of a custom ASIC optimized to read-out a SiPM-based Cherenkov radiation imager has been
 51 undertaken. The key target specifications are a sampling frequency of 200 Ms/s, a maximum power
 52 consumption of 5 mW/channel and a dynamic range of 12 bits.

53 2 ASIC architecture

54 The 64-channel ASIC is being designed in a commercial 65-nm CMOS technology and must operate
 55 with a power supply of 1.2 V. The choice of the technology stems from the fact that it provides a good
 56 integration density and its radiation tolerance has been extensively studied. The straightforward
 57 approach in a waveform sampling system is having one free running ADC per channel followed by
 58 a digital signal processor. Despite the impressive progress made in ADC developments [8], [9], the

59 use of one 12-bit ADC per channel would hardly be compatible with the target power consumption.
 60 Furthermore, since the flux of UHECRs is extremely low (0.1 to 100 particles per hour are expected
 61 [10]), a continuous digitization is unnecessary. Analog memories provide instead an interesting
 62 alternative to capture fast transient signals occurring sparsely in time.

63 The block diagram of one channel is shown in figure 1. The current pulse coming from the
 64 sensor is amplified and converted into a voltage by the input amplifier. The resulting voltage is
 65 buffered into a 256-cells analog memory which is used to store temporarily the signal information.

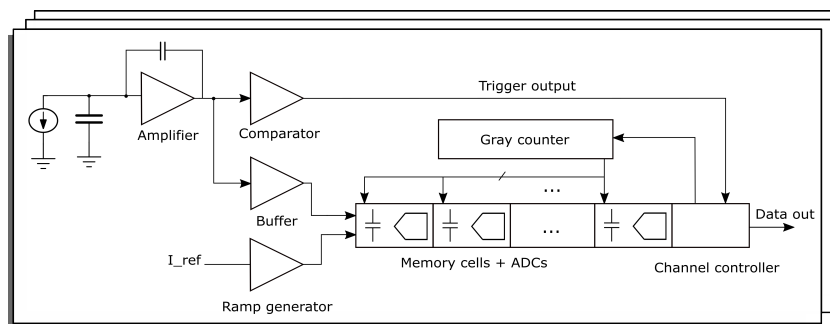


Figure 1: Channel block diagram.

66 When the sampling is enabled, the cells are written with a frequency of 200 MHz and the
 67 memory works as a ring buffer. If an event occurs, a trigger signal is issued and the cells enter the
 68 digitization phase, otherwise they are overwritten. In order to perform background monitoring, an
 69 external trigger can be sent to the chip. The analog memory can work as a single buffer or it can
 70 be divided into a maximum of 8 segments of 32 cells each thus enabling multi-buffering mode. By
 71 segmenting the analog memory, the data are derandomized, so the system acquires an event even if
 72 the processing of the previous one is still in progress. Furthermore, the channels of the ASIC can
 73 be programmed to operate in parallel (imaging mode) or independently from each others (sparse
 74 mode). The digitized data are transmitted off-chip by employing a 8-channel Double Data Rate
 75 (DDR) serializer operating with a frequency of 400 MHz.

76 2.1 Front-End

77 The front-end amplifier is based on the common gate topology [11]. Two different circuits, shown
 78 respectively in figures 2a and 2b, have been implemented to read both positive and negative input
 79 pulses, thus increasing the flexibility of the chip. The front-end amplifiers are followed by a
 80 discriminator (not shown in the figure) that compares the signal V_{out} to a programmable threshold
 81 to provide a trigger. In sparse mode, each channel is triggered independently. In imaging mode, two
 82 trigger modalities are foreseen: a fast OR between the channels and a topological trigger that looks
 83 at the firing on nearby channels. The generated information can either be used to trigger a readout
 84 sequence directly on the chip or it can be provided as primitive to an external trigger processor, that
 85 looks at the trigger outputs of different ASICs before issuing a final trigger decision.

86 2.2 Analog Memory

87 The basic building blocks of the analogue memory is the sampling cell. Several options can be
 88 considered to digitize the sampled data. One possibility is to have a fast ADC per channel or

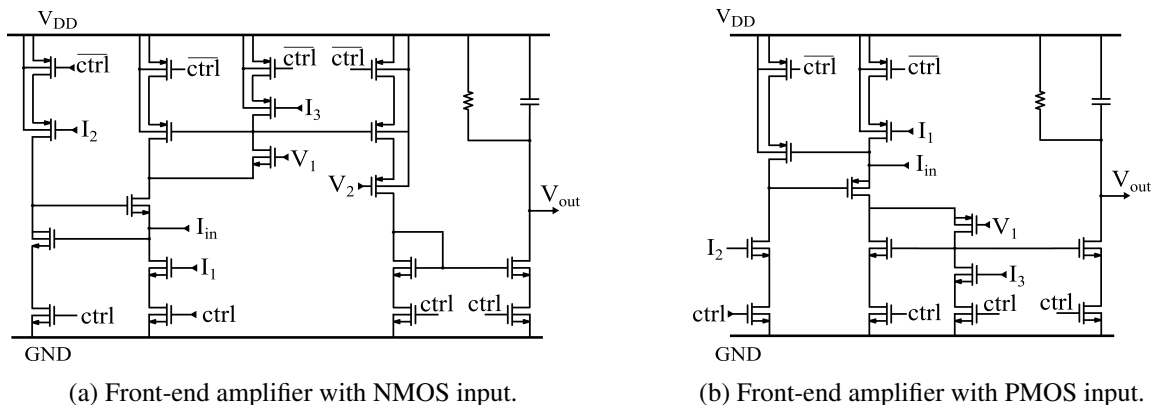


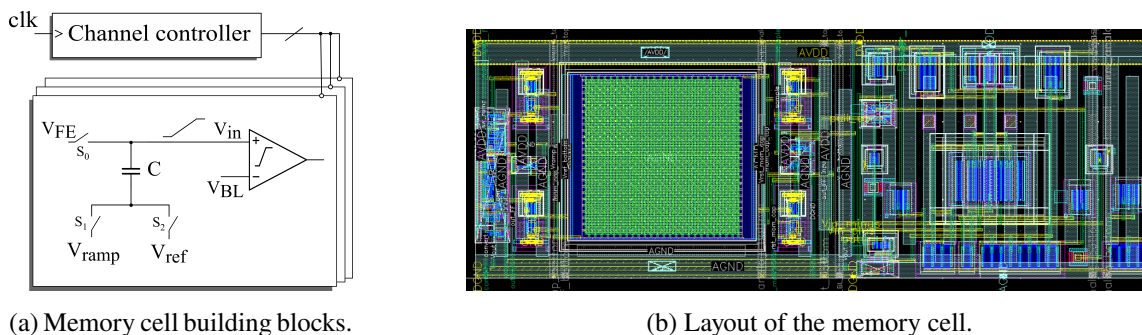
Figure 2

89 per group of channels. However, even using a moderate speed ADC (e.g. 20 Ms/s), 12.8 μ s are
 90 needed to readout 256 cells. The Wilkinson ADC topology is attractive for its simplicity, but it has
 91 long conversion time. However, it requires a limited number of hardware resources. Therefore, a
 92 massive parallelism can be used to keep the overall conversion time of the memory to an acceptable
 93 level. For instance, in [12] a fast sampling ASIC with an analog memory of 128 cells is described.
 94 The digitization is fulfilled by using 128 10-bit single-slope ADCs placed at the periphery of the
 95 chip. Therefore, all the cells in a single channel are converted in parallel. However, the scaling
 96 in CMOS technologies allows developing chip with even higher integration density. Hence, in our
 97 device a 12-bit single-slope ADC has been embedded directly in each memory cell. This allows for
 98 the digitization of all the samples in the ASIC in parallel thus reducing the dead time. The time
 99 needed for the conversion is given by:

$$2^N \times T_{clk} = 20.48 \mu s \quad (2.1)$$

100 where N is the resolution and T_{clk} represents the clock period of 5 ns. The resolution of
 101 the converter can be programmed between 8 and 12 bits. Hence, with a lower resolution, this
 102 time interval is decreased. For instance, for a 10-bit resolution (that could still adequate for our
 103 purpose) the conversion shrinks to 5.12 μ s. However, in a waveform sampling ASIC an important
 104 contribution to dead time is also given by data transmission. In fact, the digital data stream is
 105 composed of a 27-bit long header and the digitized data. By selecting the maximum resolution
 106 for the ADC, an amount of 3099 bits per channel must be transmitted to readout 256 cells. Even
 107 using 10 Gbit/s serializer per chip the time to send the raw data out would be 19.83 μ s. To
 108 increase the system modularity and thus its fault tolerance, instead of using a single fast serializer,
 109 8 DDR serializers working with a 400 MHz clock have been implemented. This allows for the
 110 segmentation of the ASIC in modules of 8 channels which are basically independent of each other
 111 The data transmission time thus becomes 30.99 μ s in the worst case in which all the 256 cells are
 112 used to capture a single event. It must be pointed-out that the dead-time is not a critical parameter
 113 for the application, as only a few events per second are expected to be read-out from the ASIC.
 114 Data could be of course zero-suppressed and compressed on chip before transmission, but it has
 115 been preferred to shift a more elaborated signal processing to the on-board FPGA. We have chosen

116 to keep the ASIC as simple as possible to reduce its design time, which is on the critical path of the
 117 project, while more time is available to develop the FPGA firmware.



(a) Memory cell building blocks.

(b) Layout of the memory cell.

Figure 3

118 The building blocks of the memory cell are shown in figure 3a. Each cell includes the
 119 sampling capacitor, the comparator of the ADC, some switches and a control logic (not illustrated
 120 in the figure). A single Gray counter whose outputs are shared among the cells, is embedded in each
 121 channel. In the sampling phase, the storage capacitor is charged to a voltage equal to $V_{FE} - V_{ref}$,
 122 where V_{FE} is the output of the input amplifier and V_{ref} is a reference voltage. In contrast with the
 123 most common architecture [13], the minus terminal of the comparator is not connected to a ramp
 124 generator. In fact, this solution can deteriorate the linearity of the system because the common mode
 125 of the comparators changes between the cells. A possible solution consists in fixing the threshold
 126 to a steady value while charging the capacitor through a constant current generator. However, the
 127 mismatch between the current sources can lead to gain variation between the cells. Hence, a single
 128 ramp generator is applied to all the storage capacitor. During the digitization the top plate of the
 129 capacitor is connected only to a gate terminal of a MOS transistor, so this node remains floating.
 130 Hence, if a ramp generator is connected to the bottom plate, the same voltage variation is replicated
 131 on the top thanks to charge conservation. When the voltage on this terminal reaches the threshold,
 132 the comparator flips triggering the storage into local latches of the output of the Gray counter. This
 133 allows embedding a single ramp generator which is common to all the cells in a single channel as
 134 shown in ref. [13]. This alternative approach ensures a good gain uniformity among the cells. The
 135 gain of the analog memory can thus be calibrated together with the front-end gain by injecting at
 136 the input of the channel known pulses through a programmable pulse generator embedded on chip.
 137 The offset is measured cell by cell by feeding a steady input voltage to the cells. This offset can be
 138 stored into a local memory and subtracted when the cells is readout

139 The schematic of the comparator is shown in figure 4b. It has two possible states which are
 140 called power-up and power-down mode. The input differential pair and its bias transistors have been
 141 divided in two branches. The first branch, which is composed by M_1 , M_2 , M_7 , M_8 drives a quarter
 142 of the total current and it is always on. The second branch is formed by M_3 , M_4 , M_9 and M_{10} and it
 143 drives three quarter of the total bias current. The latter is powered on only during the digitization
 144 phase by closing switch M_{10} . This arrangement allows for a reduction of the power dissipation
 145 when the comparator is not used, while keeping constant its common mode. Simulations show that
 146 this reduces kick-back effects toward the sampling capacitor when the comparator is set back to full

172 **References**

- 173 [1] F. Sefkow, *The CALICE tile hadron calorimeter prototype with SiPM read-out: Design, construction*
174 *and first test beam results, 2007 NSSCR vol. 1* (2007) pg. 259-263.
- 175 [2] A. M. Antonova, V. A. Kaplin, *SiPM timing characteristics under conditions of a large background*
176 *for lidars, Journal of Physics: Conference Series vol. 945* (2007) pg. 012012.
- 177 [3] M.G. Bisogni, M. Morrocchi, *Development of analog solid-state photo-detectors for positron*
178 *emission tomography, Nuclear Instruments and Methods in Physics Research Section A: Accelerators,*
179 *Spectrometers, Detectors and Associated Equipment vol. 809* (2016), pg. 140-148.
- 180 [4] M.G. Bagliesi, et al., *A custom front-end ASIC for the readout and timing of 64 SiPM photosensors,*
181 *Nuclear Physics B-Proceedings Supplements 215.1* (2011), pg. 344-348.
- 182 [5] A.V. Olinto, J. Krizmanic, *The Roadmap to the POEMMA Mission, APS April Meeting Abstracts,*
183 (2021), pg. D21-006.
- 184 [6] L. Buonanno et al., *GAMMA: a 16-channel spectroscopic ASIC for SiPMs readout with 84-dB*
185 *dynamic range, IEEE Transactions on Nuclear Science* (2021), 2556-2572.
- 186 [7] S. P. Nambboodiri et al., *A Current-Mode Photon Counting Circuit for LongRange LiDAR*
187 *Applications, 2020 IEEE 63rd International Midwest Symposium on Circuits and Systems (MWSCAS)*
188 (2020), pg. 146-149.
- 189 [8] H. Liu et al., *A 12-bit 200MS/s Pipelined-SAR ADC in 65-nm CMOS with 61.9 dB SNDR, 2019 IEEE*
190 *International Conference on Electron Devices and Solid-State Circuits (EDSSC)* (2019), pg. 1-2.
- 191 [9] L. Ricci, L. Bertulesi, A. Bonfanti, *A low-noise high-speed comparator for a 12-bit 200-MSps SAR*
192 *ADC in a 28-nm CMOS process, SMACD/PRIME 2021; International Conference on SMACD and*
193 *16th Conference on PRIME* (2021), pg. 1-4.
- 194 [10] A.L. Cummings et al., *Detection of the above the limb cosmic rays in the optical Cherenkov regime*
195 *using sub-orbital and orbital instruments, 37th Intern. Cosmic Ray Conf.(2021), 437 -*
196 *PoS(ICRC2021)437.*
- 197 [11] P. Carniti et al, *CLARO-CMOS, a very low power ASIC for fast photon counting with pixellated*
198 *photodetectors, Journal of Instrumentation 7.11* (2012), pg. 11026.
- 199 [12] S. Kleinfelder, *A multi-GHz, multi-channel transient waveform digitization integrated circuit, 2002*
200 *IEEE nuclear science symposium conference record vol. 1* (2002), pg. 544-548.
- 201 [13] E. Delagnes et al, *A Low Power Multi-Channel Single Ramp ADC With up to 3.2 GHz Virtual Clock,*
202 *IEEE Transactions on Nuclear Science vol. 54* (2007), pg. 1735-1742.