

High Voltage Shore Connection Systems: Grounding Resistance Selection and Short Circuit Currents Evaluation

*Original*

High Voltage Shore Connection Systems: Grounding Resistance Selection and Short Circuit Currents Evaluation / D'Agostino, F.; Grillo, S.; Infantino, R.; Pons, E.. - In: IEEE TRANSACTIONS ON TRANSPORTATION ELECTRIFICATION. - ISSN 2332-7782. - STAMPA. - 8:2(2022), pp. 2608-2617. [10.1109/TTE.2021.3137717]

*Availability:*

This version is available at: 11583/2955501 since: 2022-04-28T23:05:22Z

*Publisher:*

Institute of Electrical and Electronics Engineers Inc.

*Published*

DOI:10.1109/TTE.2021.3137717

*Terms of use:*

This article is made available under terms and conditions as specified in the corresponding bibliographic description in the repository

*Publisher copyright*

IEEE postprint/Author's Accepted Manuscript

©2022 IEEE. Personal use of this material is permitted. Permission from IEEE must be obtained for all other uses, in any current or future media, including reprinting/republishing this material for advertising or promotional purposes, creating new collecting works, for resale or lists, or reuse of any copyrighted component of this work in other works.

(Article begins on next page)

# High Voltage Shore Connection Systems: Grounding Resistance Selection and Short Circuit Currents Evaluation

Fabio D'Agostino, *Member, IEEE*, Samuele Grillo, *Senior Member, IEEE*, Roberto Infantino, Enrico Pons, *Member, IEEE*

**Abstract**—Cold ironing represents an effective solution to remove air polluting emissions from ports. The high voltage shore connection system is the key enabling facility that allows to provide power from the shore side electrical system to the ship. The design of the shore connection needs a comprehensive assessment of the fault currents in different operating scenarios. International standards require the neutral point of the shore connection transformer be equipped with a neutral grounding resistor. Its value has to be defined to guarantee safety and protection of equipment and personnel in case of single phase-to-ground faults. Moreover, three-phase short circuits need to be considered to size equipment and protection devices. A crucial role is played by the frequency converter control system, required to adapt the mains frequency to the frequency of the ship. In this work, a complete electro-magnetic dynamic model of the high voltage shore connection has been developed, including frequency converter, shore-side transformer, connection MV cables and power system of the ship, to analyze in detail the behavior of the system in case of single phase-to-ground fault and three-phase short circuit, taking into account relevant standards and best practices.

**Index Terms**—cold ironing, frequency converter, neutral grounding resistance.

Manuscript received May 22, 2021; revised October 16, 2021; accepted December 7, 2021. Date of publication ; date of current version .

F. D'Agostino is with the Dipartimento di Ingegneria Navale, Elettrica, Elettronica e delle Telecomunicazioni, Università degli Studi di Genova, Genova, Italy (e-mail: fabio.dagostino@unige.it).

S. Grillo and R. Infantino are with the Dipartimento di Elettronica, Informazione e Bioingegneria, Politecnico di Milano, piazza Leonardo da Vinci, 32, I-20133 Milano, Italy (e-mail: samuele.grillo@polimi.it, roberto.infantino@mail.polimi.it).

E. Pons is with the Dipartimento Energia "Galileo Ferraris", Politecnico di Torino, Torino, Italy (e-mail: enrico.pons@polito.it).

Color versions of one or more of the figures in this paper are available online at <http://ieeexplore.ieee.org>.

Digital Object Identifier

## I. INTRODUCTION

Maritime transport industry is recognized among the major sources of air pollution, especially in coastal areas [1]. Following directives by International Maritime Organization (IMO) [2], EU [3] and national ports' regulating authorities towards minimizing polluting emissions from ships, modern ports are going to play a key role by being transformed into smart grids [4], and smart energy hubs [5]. In this context, design, installation and operation of cold ironing facilities, also referred to as shore connection, on-shore power supply (OPS) or alternative marine power (AMP), are becoming of paramount importance [6].

The polluting emissions coming from auxiliary generators, required to supply essential services of docked ships, comprises nitrogen oxides ( $\text{NO}_x$ ), sulphur oxides ( $\text{SO}_x$ ) and diesel particulate matter (PM) [7], [8]. Cold ironing consists in supplying power to berthed ships by the shore side electrical system, allowing ships to switch off auxiliary engines. It can be considered as one of the most promising solutions to remove local air pollution from ports, when emission regulations will restrict or, even prohibit, the usage of diesel generators [9]. Benefits are also expected to include noise pollution reduction. On the other hand one of the main challenges this transition is facing nowadays is represented by high investment costs [10].

Shore connection facilities must be properly designed to meet operational and safety requirements, in order to satisfy the electrical load demand of different types of ship. In general, the cold ironing system comprises three subsystems: the shore-side power supply, the shore-to-ship interconnection, and the shipboard network. A simplified single line diagram of such configuration is shown in Fig. 1.

The first component is the port main substation which steps down the voltage to an acceptable level for the proper operation of the power electronics devices. Then, as the most

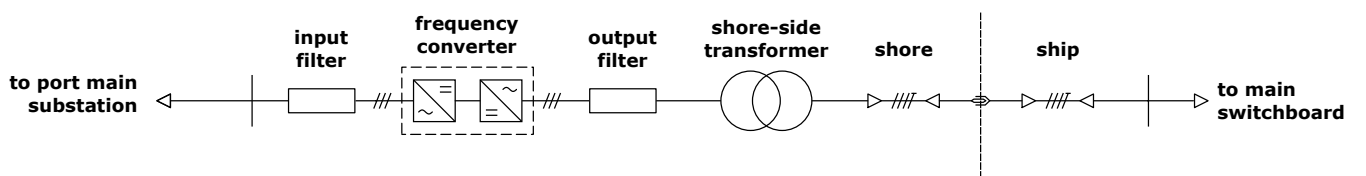


Fig. 1. Simplified single line diagram of the shore connection.

common frequency value adopted on board is 60 Hz, while the electric grid in many parts of the world works at 50 Hz, a frequency conversion system is needed. The shore-side transformer located downstream the frequency converter has basically two functions: i) to adjust the voltage level reaching the value required by ship's main switchboard (6.6 kV or 11 kV), and ii) to ensure that the line-to-ground fault at any location does not lead to any dangerous overvoltage conditions, that might cause safety issues and/or equipment damages. Finally, the shore-to-ship connection is constituted by cable reels, HV plug/socket-outlets with handling facilities, communication and control wires [11]. It is worth noting that, according to the Standards of Training, Certification, and Watch-keeping for Seafarers (STCW) Code, in marine applications the term high voltage refers to systems above 1 kV.

This paper focuses on the analysis of the high voltage shore connection (HVSC) system when a single phase-to-ground fault or a three-phase short circuit occurs.

For what concerns single phase-to-ground faults, a thorough analysis about the shore power supply network structure and its grounding method is needed. In literature, extensive research has been carried out to determine which is the most adequate grounding method for the neutral point of the shore-side transformer [12]–[15]. As a result, the grounding by means of a neutral grounding resistor (NGR), also called neutral earthing resistor<sup>1</sup>, has been chosen as the best compromise between the isolated and the solidly grounded systems [12]. However, it is possible to make a distinction between two different methods: low resistance grounding (LRG) and high resistance grounding (HRG). The former consists in sizing the NGR in such a way that the resistive component of the fault current is significantly greater than the total system charging current, which is defined as the current that flows through the parasitic capacitances. The latter method implies that during a single phase-to-ground fault the resistive component of the fault current is slightly higher than the capacitive one. On the one hand, HRG provides lower damage risk at the fault location if compared to LRG. For this reason, when the grounding resistance method was introduced, a high resistance was inserted in order to maintain the single phase-to-ground fault current below 3 A and to limit the arc flash hazard [14]. On the other hand, LRG makes the tripping of the protection system easier, and implies lower values for transient overvoltages [15].

The second part of the analysis deals with the three-phase short circuit current, which is made up of two components: the contribution of the running on-board generators, and the contribution of the shore-side power system, which flows through the frequency converter. On board power stations are mainly composed by synchronous machines driven by diesel engines. Therefore the first component is well known in literature [16], [17] and follows the behavior described in Standards IEC 61363-1 and IEC 60909-1 [18], [19]. The analysis of the behavior of the shore-side frequency converter is instead of higher interest.

The aim of the paper is twofold: i) to define a methodology to provide the range of admissible values for the neutral grounding resistor; and ii) to analyze the behavior of the frequency converter during a three-phase fault in order to give designing guidelines for the protection systems' sizing. To this end, we modeled the whole system to mimic the state-of-the-art condition, in terms of technology and control schemes.

The remainder of the paper is organized as follows. In Section II a short description of the current criteria related to HVSC systems design is carried out in order to formulate the problem. In Section III, the shore power system, the shipboard power system and the grounding system models are presented. Single phase-to-ground fault scenarios are then discussed in Section IV. While in Section V, simulation results related to the three-phase short circuit case are analyzed. Finally, conclusions are drawn in Section VI.

## II. SYSTEM DESIGN CRITERIA

When dealing with HV shore connection design, at least three standards should be taken into account: IEC/ISO/IEEE Standards 80005-1 [20], IEC 61363-1 [18] and IEC 60909-0 [19].

The first standard defines the main requirements for the connections between ships and shore power supplies. It points out the primary role of the NGR selection and recommends reference values for each kind of ship. However, it does not provide information about the effects of the NGR power rating on the fault current in the different operating scenarios.

The second standard presents procedures for calculating short-circuit currents on maritime power systems, but it does not provide information about cold ironing operation.

The third standard is used to calculate short circuit currents in three-phase ac systems and it is one of major references for terrestrial power systems. It includes a Section for the analysis of full size converters, but it refers to the values provided by the manufacturer and it does not provide information about the behavior of such components in case of fault.

The implementation of a highly detailed and complete model of the HVSC system allows both to determine a range of values of the NGR compliant with the Standard requirements, and to investigate the behavior of the frequency converter in case of fault. The target system for the present study is a 20 MVA shore connection facility, suitable for cruise ships.

### A. System design practices

As shown in Fig. 1, the shore-side transformer is connected downstream the frequency converter. According to IEC/ISO/IEEE 80005-1 [20] prescriptions, the transformer is equipped with a neutral earthing resistor on the secondary star-connected side. The earthing terminal of this NGR is connected to the ship hull through the neutral cable, and to the ground by a neutral earthing-switch operated depending on the type of ship. Thus, the single phase-to-ground fault current is mainly determined by the value of such resistor, and the steady-state value of the ground fault current is expected to be very low, if compared to the nominal value of phase

<sup>1</sup>The terms earthing and grounding are used interchangeably.

currents. Moreover, in order to avoid any potential hazards to personnel, Standard imposes the following constraints:

- 1) An earth fault shall not create a step or touch voltage exceeding 30 V at any location in the shore-to-ship power system.
- 2) The resistive component of the fault current shall not be less than 1.25 times the prospective system charging current.

It is worth pointing out that when studying phase-to-ground faults on vessels, one usually refers to the case in which a phase conductor touches an exposed conductive part, which is bonded to the metallic hull of the ship. Therefore, to avoid the presence of dangerous touch voltages at any location of the shore connection facility, an equipotential bonding between ship's hull and shore earthing system is prescribed. The first of the two abovementioned requirements is intended to investigate this situation.

On the other hand, to meet the second requirement, the total system charging current must be compared with the total resistive current. This aspect is crucial for the design of the grounding system. Hence, in order to size the NGR, both the components of the fault current must be known. However, an accurate total system charging current evaluation is not always possible during the ship-to-shore infrastructure design stage. Moreover, the value of the ship-side contribution could vary substantially from one ship to another. Therefore, a good practice can be to size the NGR case by case. However in the everyday life it is not possible to change the value of the NGR according to the parameters of the docked ship. This paper intends to investigate this aspect providing a range of admissible values for the NGR.

### B. Cable System and Bonding Requirements

A shore facility, suitable for the connection of cruise ships, utilizes four power cables with phase conductors laid up with an earthing core. The four earthing cores, whose cross-section has to be at least 50% of the power cores cross-section, realize the equipotential bonding among ship's hull and shore earthing system. A neutral single pole cable provides a solid bonding between the earthing terminal of shore power transformer's NGR and ship's hull. In addition, an earthing switch (or disconnect switch [21]) connects the NGR's earthing terminal to the shore grounding system. Indeed, Standard [20] requires that, during cruise ship operation, the neutral earthing resistor is connected only to the ship-side by the neutral cable, while it has to be connected to the ground when a ship is not connected. This aspect will be further discussed in Section IV.

### C. Fault analysis

IEC 61363-1 and IEC 60909-0 [18], [19] are the two major standards for the calculation of the short circuit currents. The former, which is dedicated to electrical installations of ships, identifies the procure to calculate three-phase short circuit current as a time-dependent function due to the presence of the sub-transient and transient modes of synchronous generators taking into account the effect of external line impedance on the

time constant [16]. The latter allows to calculate fault currents based on the well-known equivalent voltage source method. However, when full size converters are considered, they shall be modelled in the positive-sequence system by a current source whose value has to be provided by the manufacturer (Section 6.9 of Standard IEC 60909-0).

One of the goals of this paper is to investigate further this aspect showing the transient behavior of the output currents of the frequency converter during three-phase short circuits.

## III. SYSTEM MODELING

In this Section, the different components of an HVSC system at 11 kV are described in detail. The complete model has been implemented in the Matlab Simulink simulation environment.

### A. Shore-side system design

The first and main component of the shore power supply system is the frequency converter. It is made up of two stages: an ac-dc and a dc-ac converter. For what concerns the former stage, the use of diode rectifiers typically represents the cheapest solution. However, the utilization of an active front end (AFE) converter, with controllable switches, leads to numerous benefits, such as: higher power factor on the grid side, controllability of the dc-link voltage, sinusoidal input currents, smaller dc link voltage ripple (leading to a corresponding dc capacitor size reduction) [22]. Moreover, this technology allows bidirectional flow of current and it is suitable for reversible power applications, where the ship can provide power and services to the distribution grid [23]. For these reasons, an IGBT based switch-mode rectifier has been selected.

Figure 2 shows the scheme of the frequency converter that has been implemented in the present work. Since the output of each converter is resulting from a PWM modulation, the adoption of filters is required for reducing as much as possible the harmonic content. The values of such filters are reported in Table I (next page).

To achieve a proper operation of the converter the control method adopted in this paper is based on a double loop. It consists of an inner loop for controlling the current and an outer loop for controlling the voltage [24]. In the case of the ac-dc conversion, such control method aims at regulating the dc output voltage (Fig. 3, next page). Thus, the converter works to maintain the dc voltage at a desired reference value, using a

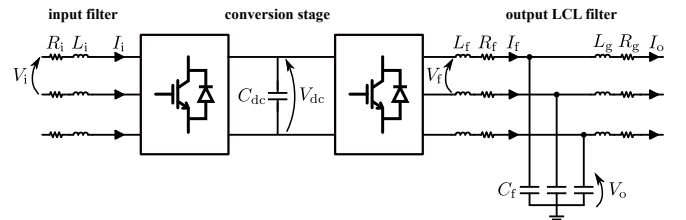


Fig. 2. Schematic diagram of the frequency converter. Resistances in input and output filters model the resistances of the inductances.

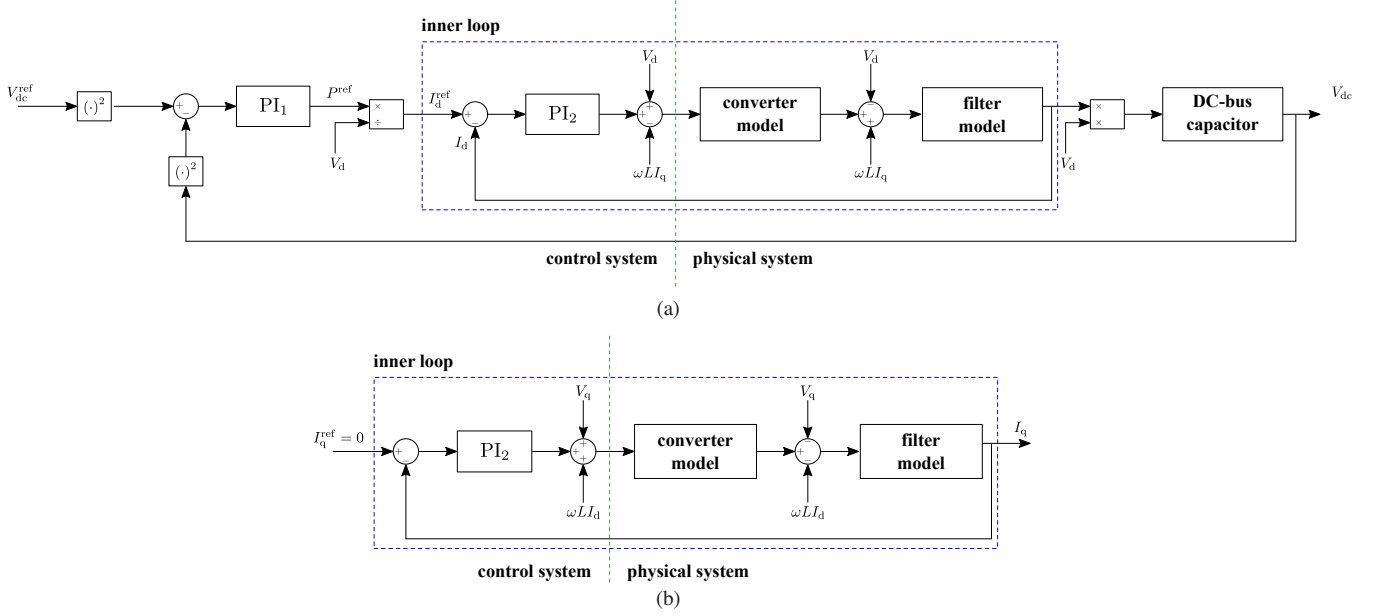


Fig. 3. Complete scheme of the control system of the rectifier in a dq reference frame: (a) d-axis; (b) q-axis.

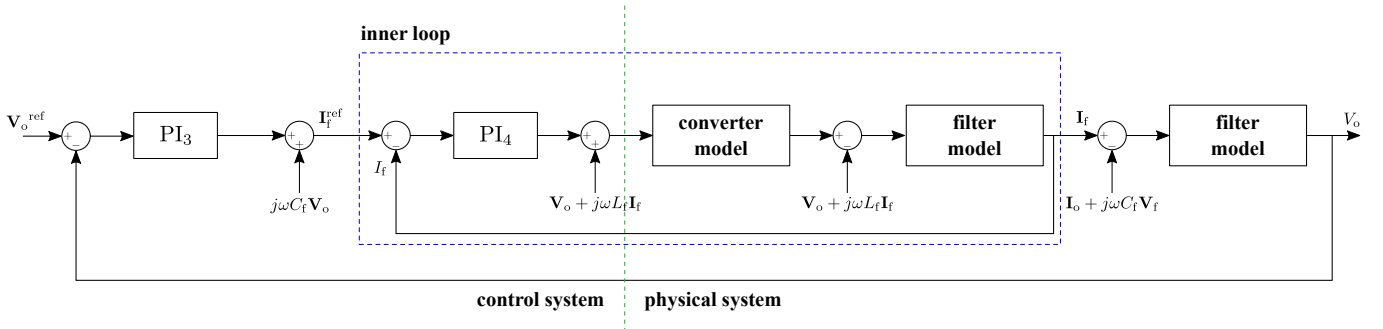


Fig. 4. Complete scheme of the control system of the inverter. All the variables are expressed as Park vectors in a dq reference frame.

feedback PQ control. In this case, the comparison is performed between the square of the measured voltage and the square of the reference value. In this way the tuning of the controller is easier, as the square of the dc voltage is proportional to the active power exchanged with the dc bus [25].

The control method of the inverter (Fig. 4) aims at keeping constant the voltage across the capacitor of the output filter ( $C_f$ ). All the parameters of the control systems are reported in Table II (next page).

### B. Ship-side system model design

One of the common arrangements of primary generators on board modern vessels consists in brushless self-excited synchronous machines driven by a diesel prime mover [26]. The dynamic model of each generating unit is formed by the following components: a synchronous machine, a prime mover, a diesel engine speed governor (GOV), and an excitation system, which includes the automatic voltage regulator (AVR) [27].

The GOV model includes a speed control transfer function, an actuator transfer function, and the combustion delay of the

TABLE I  
PARAMETERS OF THE FREQUENCY CONVERTER.

Parameters of the rectifier	
Input ac voltage ( $V_i$ )	15 kV
Nominal output dc voltage ( $V_{dc}$ )	28 kV
minimum output dc voltage ( $V_{dc}^{\min} = \frac{2\sqrt{2}V_i}{\sqrt{3}}$ )	24.49 kV
Input filter resistance ( $R_i$ )	0.25 $\Omega$
Input filter inductance ( $L_i$ )	5.26 mH
DC bus capacitor ( $C_{dc}$ )	5 mF
Parameters of the inverter	
Output ac voltage ( $V_f$ )	15 kV
Output filter first stage resistance ( $R_f$ )	0.12 $\Omega$
Output filter first stage inductance ( $L_f$ )	2.39 mH
Output filter capacitance ( $C_f$ )	0.1 mF
Output filter second stage resistance ( $R_g$ )	0.81 $\Omega$
Output filter second stage inductance ( $L_g$ )	1.28 mH

prime mover. For on-board power systems, the adoption of the droop-based control mode for the active power and frequency control is typically recommended. For this reason, the well-



TABLE II  
PARAMETERS OF THE CONTROL SYSTEMS.

Parameters of the rectifier control system		
PI <sub>1</sub> controller	integral gain	12 s <sup>-1</sup>
	proportional gain	0.48
	cut-off frequency	100 Hz
	phase margin	75°
PI <sub>2</sub> controller	integral gain	6291 s <sup>-1</sup>
	controller: proportional gain	17
	controller: cut-off frequency	1000 Hz
	controller: phase margin	75°
Parameters of the inverter control system		
PI <sub>3</sub> controller	integral gain	1.1 s <sup>-1</sup>
	proportional gain	0.019
	cut-off frequency	200 Hz
	phase margin	75°
PI <sub>4</sub> controller	integral gain	16 837 s <sup>-1</sup>
	proportional gain	47
	cut-off frequency	2000 Hz
	phase margin	75°

known DEGOV1 model, developed for Woodward governors, has been selected.

The excitation system model is based on the IEEE Standard 421.5 [28]. The model selected for this study is the IEEE AC5C brushless excitation system.

### C. Ship load model design

In the present study, a 15 MVA electrical load has been modelled. During cold ironing operation, it is assumed that the loads connected in a cruise ship are mainly hotel loads. In this paper load model is realized by means of the ZIP model, i.e., a composition of the three types of constant loads (Z: constant impedance; I: constant current; P: constant power). The key assumption behind the selection of the ZIP parameters is that when the ship is berthed the behavior of hotel loads can be assimilated to residential loads. However, in the case of a modern cruise ship, it is reasonable to expect a consistent use of air conditioning, which is controlled by inverters [29]. As a consequence, the constant power contribution is relevant [30]. The values that have been adopted in this work are Z = 60%; I = 15%; P = 25%.

### D. Cable connection model design

As previously described in Section II-B, an intentional equipotential bonding between the ship's hull and the ground collector busbar shall be realized by means of a specific core in the power cables. In many works in literature such wire is treated as a zero impedance connection [13], [21], [31]. However, as this study is focused on the evaluation of touch voltage, it is necessary to take into account the real impedance of such connection,  $Z_E$ . In addition to the bonding conductor, a neutral conductor connects the NGR to the ship's hull, with an impedance  $Z_N$ , and when the NGR disconnect switch is closed, the two conductors are in parallel.

The connection between the shore side and the ship is realized according to the Standard's prescriptions, as described

in Section II-B. The parameters adopted for the study have been selected from a real data sheet of MV shielded cables. Both cable formation and parameters are reported in Table III (next page).

In the preliminary simulations that were carried out, it was noticed that the presence of inductive and parasitic capacitive parameters of neutral and earth bonding conductors were highly increasing the computational time even if their effect was negligible on the final numerical results. As a matter of fact, small variations in the neutral and earthing conductor parameters do not affect the results significantly, given that the neutral grounding resistor and ship's earthing resistance play a major role in limiting the single-phase-to-ground fault current. Moreover, such small variations could also be produced by different cables' lengths. For this reason, we decided to neglect the inductive and capacitive parameters of both neutral and bonding conductors. Thus, these conductors have been modeled as purely resistive components. The values of the "equivalent" resistances have been set to be the magnitude of the conductors' impedances, i.e.,  $R_E = 5.7 \text{ m}\Omega$  and  $R_N = 9.2 \text{ m}\Omega$ . On the other hand, the full model of the phases' cores allows to catch the most significant behavior of the system during three-phase short-circuits, when the earthing conductors are not involved.

As mentioned in Section I, one of the aims of this paper is to investigate the effects of different operating conditions on touch voltage. This quantity is usually defined as the voltage drop across the bonding conductors, as depicted in Fig. 5 (next page) [13]. We performed simulations with disconnect switch open and closed and we measured the touch voltage,  $V_{\text{touch}}$ , and the electric potential difference across the terminals of the disconnect switch,  $V_{\text{DS}}$ , in each simulation.

### E. Grounding system model design

The equipotential bonding is earthed at both sides: on the shore and on the ship. Therefore, the overall model, shown in Fig. 5, must include also these resistances:  $R_{\text{EShore}}$  and  $R_{\text{EShip}}$ . The former is the earth resistance of the shore earthing system. Generally, it is possible to exploit the port grounding system. By doing so, the resulting resistance is very small (e.g., 0.4  $\Omega$ –1.2  $\Omega$ ) [32]. The latter is the earth resistance of the ship. Its value, which is variable for each ship, shall be measured case by case. Key parameters for the estimation of such resistance are the hull's immersed surface, hull painting and salty water resistivity [33]. For a cruise ship, it is reasonable to assume a surface equal to 10.000 m<sup>2</sup> [32]. The other two quantities are very complex to be estimated. It is possible to find both new vessels with the hull perfectly insulated by a high-resistivity coating ( $1 \times 10^9 \Omega \text{ m}$ ) and old vessels with the hull practically bare (resistivity in the range of  $1 \times 10^2 \Omega \text{ m}$ ) [32]. For what concerns water resistivity, the two main variables are temperature and salinity. The computation of the resistivity has been carried out using the Debye-Huckel-Osnager equation [34]. It results in values around 0.2  $\Omega \text{ m}$  for oceans, while less salty seas can present values in the range of 1  $\Omega \text{ m}$ –2  $\Omega \text{ m}$ . As a result,  $R_{\text{EShip}}$  can vary from 0.3  $\Omega$  to 4  $\Omega$ .

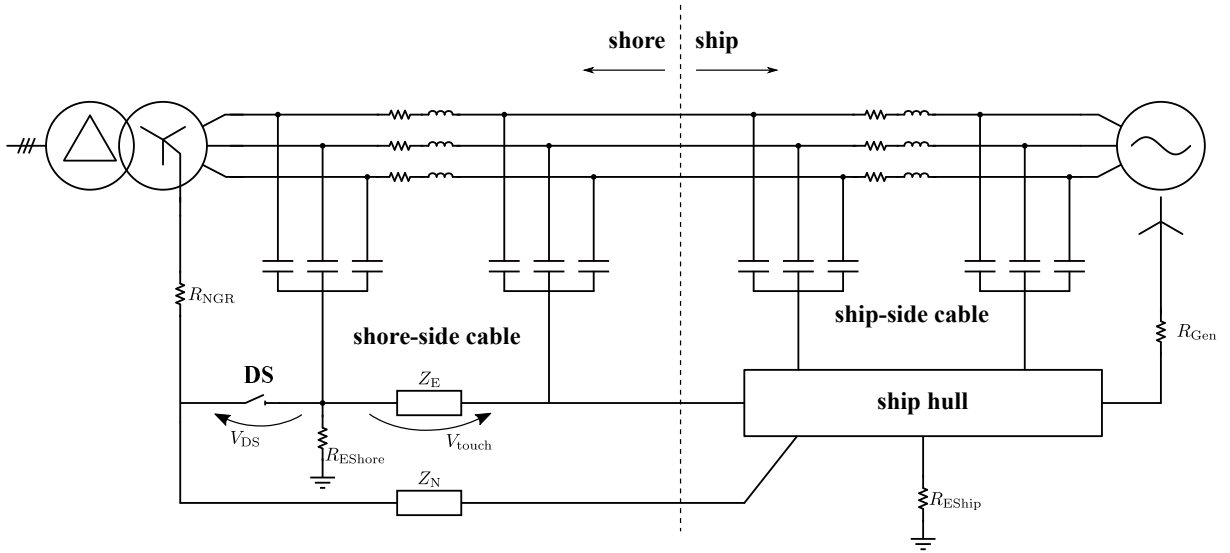


Fig. 5. Complete scheme of the grounding and cable systems for the shore-side connection.

Before starting with the fault analysis, it is necessary to consider also the grounding system of the ship. The focus is posed on the grounding arrangement of the neutral point of the diesel generator. In almost all cases related to cruise ships at 11 kV, the neutral point is grounded through a high-value current limiting resistor ( $R_{gen}$ ) [35], designed to respect the maximum single-phase-to-ground fault current limit of 5 A [36].

In order to use realistic values for the model parameters, we performed an extensive literature review and analyzed the schematics of existing shore-ship interconnections. Then, for cable parameters we used values taken from the data sheet of cable manufacturers. For other important parameters, such as  $R_{EShip}$  we resorted to information found in literature that we further elaborated. The parameters used are summarized in Table III.

To sum up, the whole system that has been implemented is shown in Fig. 5. It includes the shore-side substation and its grounding resistance ( $R_{NGR}$ ), the diesel generator and its grounding resistance ( $R_{gen}$ ), shore-side and ship-side cables, represented as lumped  $\pi$ -model equivalent circuit, the equipotential bonding conductors ( $R_E$ ), the neutral conductor ( $R_N$ ), the NGR grounding disconnector and the shore and ship grounding systems' resistances ( $R_{EShore}$  and  $R_{EShip}$ ).

#### IV. SINGLE PHASE-TO-GROUND FAULT

In this Section, the simulation results related to the single phase-to-ground fault are presented. As summarized in Table IV (next page), the simulations include four different scenarios:

- *Scenario 1 (SC1)*: HVSC has been just activated, i.e., the synchronization process has been completed and the ship's network is connected to the shore's one. However, the diesel generator (DG) is still in operation, and it is still feeding the whole ship's load ( $P_{load}$ ).

TABLE III  
PARAMETERS OF CABLES AND GROUNDING SYSTEM.

Multipolar 3 phases + earth bonding cable	
Phase cross section	240 mm <sup>2</sup>
Phase resistance at 65 °C	0.0927 Ω km <sup>-1</sup>
Phase reactance at 60 Hz	0.1163 Ω km <sup>-1</sup>
Phase capacitance	0.423 μF km <sup>-1</sup>
Earth core cross section	120 mm <sup>2</sup>
Earth core resistance at 65 °C	0.182 Ω km <sup>-1</sup>
Earth core reactance at 60 Hz	0.1356 Ω km <sup>-1</sup>
Cable formation	4 × (3 × 240 + 1 × 120)
Unipolar neutral cable	
Cross section	240 mm <sup>2</sup>
Resistance at 65 °C	0.0920 Ω km <sup>-1</sup>
Reactance at 60 Hz	0.1236 Ω km <sup>-1</sup>
Cable formation	1 × 240
Parameters of the grounding system	
Earth resistance of the shore earthing system, $R_{EShore}$	1 Ω
Earth resistance of the ship, $R_{EShip}$	1 Ω

- *Scenario 2 (SC2)*: shore connection is activated, and the ship's load is supplied from the shore side. The power set point of the diesel generator ( $P_{DG}$ ) is null, as a consequence of the load transfer. However, the generator grounding system is still active.
- *Scenario 3 (SC3)*: shore connection is activated. The diesel generator and its grounding system are disconnected. The load is entirely supplied by shore power ( $P_{HVSC}$ ).
- *Scenario 4 (SC4)*: shore connection is activated, and it is absorbing power from the ship. The ship's load is lower than in the previous cases, and the diesel generator is providing services to the terrestrial network. The on-board grounding system is active.

For each scenario, eight values of the neutral grounding resistor of the shore-side transformer  $R_{NGR}$ , are analyzed. For the present study, a zero-impedance fault has been considered. In addition to this, for each scenario and for each value of the NGR two operating conditions have been simulated: i) with the disconnect switch open; and ii) with the disconnect switch closed.

TABLE IV  
DEFINITION OF THE SIMULATION SCENARIOS.

	SC1	SC2	SC3	SC4
DG	on	on	off	on
DG grounding	on	on	off	on
$P_{DG}$	15 MVA	0	—	15 MVA
$P_{load}$	15 MVA	15 MVA	15 MVA	10 MVA
$P_{HVSC}$	0	15 MVA	15 MVA	-5 MVA

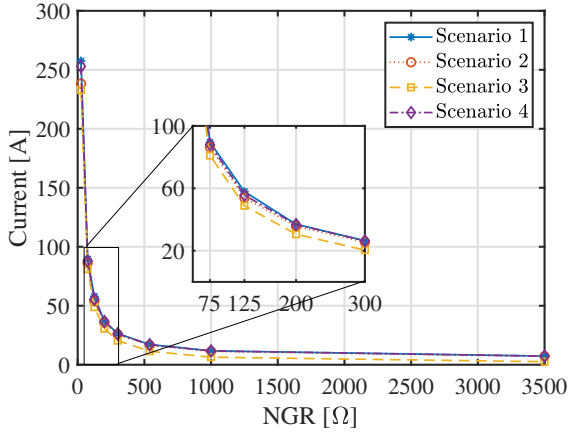


Fig. 6. Comparison of the steady-state rms single-phase-to-ground fault currents in the different scenarios. The disconnect switch is open. The curves for the four scenarios with disconnect switch closed are practically identical, and are here omitted.

In Fig. 6, a comparison of the rms values of the steady-state fault current for the four scenarios with disconnect switch open is reported. The cases with disconnect switch closed are not shown, as the values of the fault current are practically identical. The first thing to notice is that the absence of the contribution from the generator's grounding implies a lower fault current in the third scenario with respect to the others.

In Fig. 7, the resistive component of the fault current ( $I_r$ ) in Scenario 3 is compared with the total system charging current ( $I_c$ ). What emerges is that in the eighth case study ( $R_{NGR} = 3500 \Omega$ ), the two curves are very close. In particular  $I_r = 1.745 \text{ A}$  and  $I_c = 1.370 \text{ A}$ . As a consequence, it can be concluded that Scenario 3 imposes the upper limit of the NGR to  $3500 \Omega$ . Indeed, if a higher value were to be selected, the resistive current would be lower than 1.25 times the system charging current. This would violate the second condition reported in Section II (Par. 6.2.3 [20]).

On the other hand, Scenario 1 imposes the lower limit for the NGR (to  $125 \Omega$ ). As clearly shown in Fig. 6, if a lower

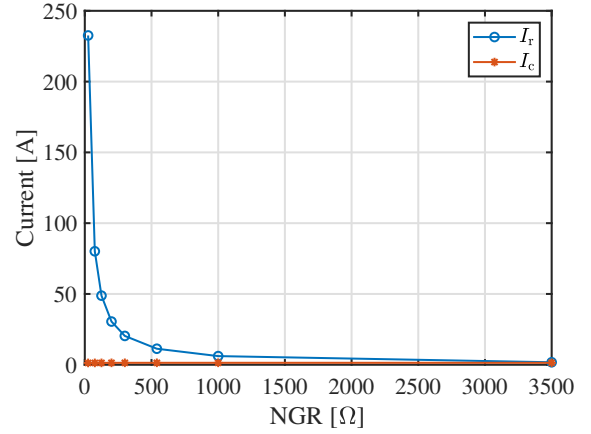


Fig. 7. Scenario no. 3: comparison between the resistive ( $I_r$ ) and capacitive ( $I_c$ ) components of the fault current.

value were to be selected, the fault current would be higher than  $60 \text{ A}$ , a value generally considered as undesirable [12].

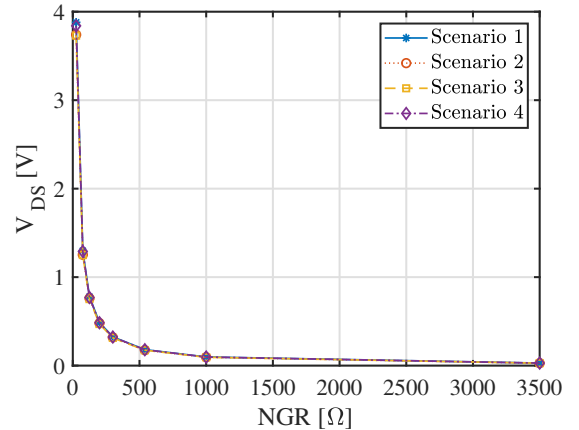


Fig. 8.  $V_{DS}$  when the disconnect switch is open in the different scenarios.

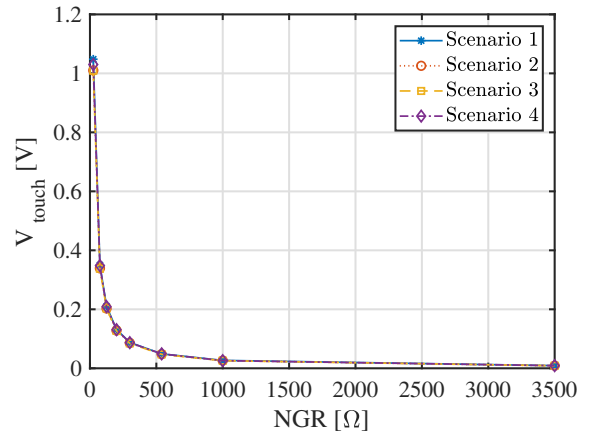


Fig. 9.  $V_{touch}$  when the disconnect switch is closed in the different scenarios.

In order to assess the touch voltage limit condition, we performed simulations with disconnect switch open and closed,



TABLE V  
POWER TO BE DISSIPATED BY THE NGR IN EACH SCENARIO AND FOR EACH DIFFERENT VALUE OF THE NGR.

	25 Ω	75 Ω	125 Ω	200 Ω	300 Ω	540 Ω	1 kΩ	3.5 kΩ
SC1	1591.2 kW	533.2 kW	320.2 kW	200.2 kW	133.5 kW	74.2 kW	40.1 kW	11.5 kW
SC2	1361.9 kW	482.7 kW	298.7 kW	187.2 kW	125.3 kW	70.0 kW	39.0 kW	10.7 kW
SC3	1352.6 kW	481.7 kW	297.7 kW	186.2 kW	124.2 kW	69.0 kW	37.2 kW	10.6 kW
SC4	1558.8 kW	526.2 kW	316.4 kW	198.0 kW	132.1 kW	73.4 kW	39.6 kW	11.3 kW

and we measured the touch voltage,  $V_{\text{touch}}$ , in each simulation. We found that when the disconnect switch is open this values is negligible (being it in the order of magnitude of mV, thus justifying this practice for cruise ships). For this reason we further investigated the issue, and monitored the electric potential difference across the terminals of the disconnect switch,  $V_{\text{DS}}$ , as reported in Fig. 8. Figure 9 (next page) shows the steady-state rms values of  $V_{\text{touch}}$  when the disconnect switch is closed. In both cases, the limit threshold of 30 V is never exceeded.

Finally, Table V (next page) reports the required power rating of the NGR to continuously withstand the fault current. For the acceptable values of the NGR the power is between 10 kW and 320 kW. Those values are compatible with existing commercial equipment.

## V. THREE-PHASE SHORT CIRCUIT

This Section is focused on the analysis of the three-phase short circuit at the main switchboard of the ship. The contribution of the on-board generator can be evaluated in a quite straightforward way with the application of Standards IEC 60909 [19] and IEC 61363 [18]. For this reason, this issue is not analyzed in detail in this work.

On the contrary, a methodology for calculating the contribution of the frequency converter to the short-circuit current is not provided by the Standard, which only states that full size converters can be modelled in the positive-sequence system by a current source, whose value has to be provided by the manufacturer. For this reason, in this Section the contribution of the shore-side frequency converter is analyzed with the objective of defining a set of equations to analytically calculate it, as it is normally done for the contribution of synchronous generators.

Using the model implemented in Simulink, dynamic simulations have been performed. The results are shown in Fig. 10. It can be observed that in the first hundreds of milliseconds after the fault event the total output current,  $i^{\text{ph}}(t)$ , is made up of two components: a symmetrical component at 60 Hz,  $i_s^{\text{ph}}(t)$ , and a decay oscillating component,  $i_{\text{dec}}(t)$ :

$$i^{\text{ph}}(t) = i_s^{\text{ph}}(t) + i_{\text{dec}}(t). \quad (1)$$

In order to analyze the factors that affect the trend of the latter component, a moving average at 60 Hz was applied. By doing so, the symmetrical component, which is known and equal to

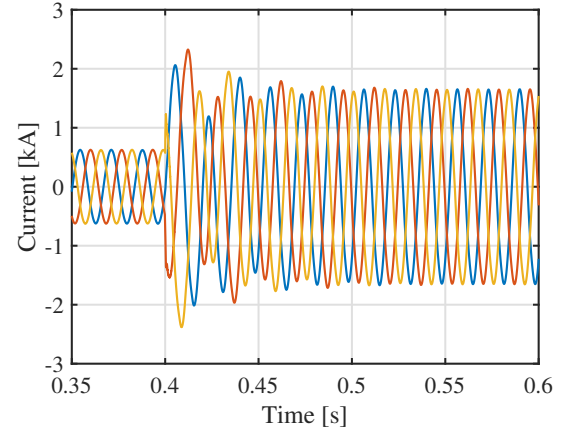


Fig. 10. Contribution of the frequency converter  $i(t)$  to the three-phase short-circuit current.

the pre-fault voltage divided by the commutation reactance of the converter, has been removed:

$$i_s^{\text{ph}}(t) = I_s \sin(2\pi 60t + \phi^{\text{ph}}) \quad (2)$$

leaving only the decaying aperiodic function:

$$i_{\text{dec}}(t) = a_2 \exp(-b_2 t) \sin(2\pi f_2 t). \quad (3)$$

The coefficients of (3) are reported in Table VI. Fitting tools

TABLE VI  
COEFFICIENTS OF EQUATION (3) WHEN THE INTEGRAL GAIN OF  $PI_1$ ,  $K_I$ , AND THE SATURATION LIMIT OF  $PI_4$  ARE MODIFIED. WHEN THE INTEGRAL GAIN VARIES, THE SATURATION IS SET TO  $\pm 10$  kV, WHEN THE SATURATION VARIES, THE INTEGRAL GAIN IS SET TO  $12 \text{ s}^{-1}$ .

	$a_2$	$b_2$	$f_2$
$K_I = 12 \text{ s}^{-1}$	804 A	$27 \text{ s}^{-1}$	22 Hz
$K_I = 20 \text{ s}^{-1}$	801 A	$40 \text{ s}^{-1}$	22 Hz
$K_I = 25 \text{ s}^{-1}$	798 A	$54 \text{ s}^{-1}$	22 Hz
$K_I = 30 \text{ s}^{-1}$	792 A	$60 \text{ s}^{-1}$	22 Hz
Sat = $\pm 10$ kV	804 A	$27 \text{ s}^{-1}$	22 Hz
Sat = $\pm 12$ kV	805 A	$28 \text{ s}^{-1}$	25 Hz
Sat = $\pm 15$ kV	805 A	$28 \text{ s}^{-1}$	28 Hz
Sat = $\pm 20$ kV	811 A	$29 \text{ s}^{-1}$	32 Hz

have been exploited to derive the equations of the curves, and a relation between  $i_{\text{dec}}$  and the transient behavior of the voltage at the dc link  $v_{\text{dc}}$  has been identified. It can be observed that

the voltage at the dc link can be expressed as:

$$v_{dc}(t) = a_1 \exp(-b_1 t) (1 + c_1 \sin(2\pi f_1 t)) + V_{dc0}, \quad (4)$$

where:

$$V_{dc0} = 28 \text{ kV} = 1 \text{ p.u.} \quad (5)$$

Figure 11 shows that the decaying time of the voltage at the dc link  $\tau_{dc} = 1/b_1$  is equal to the time constant of the decaying aperiodic component of the current  $\tau_i = 1/b_2$ .

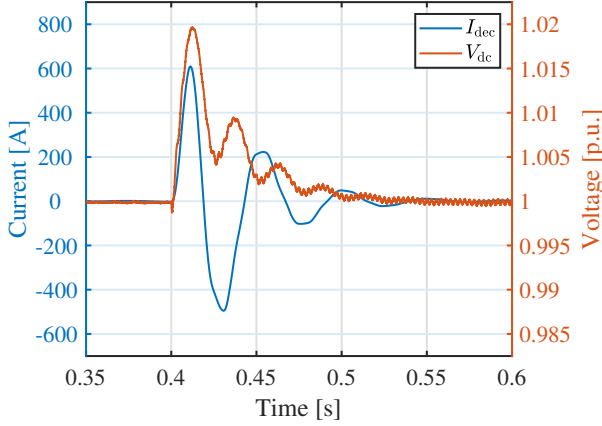


Fig. 11. Decaying aperiodic component  $i_{dec}(t)$  of the frequency converter contribution  $i(t)$  and voltage at the dc link  $v_{dc}(t)$ .

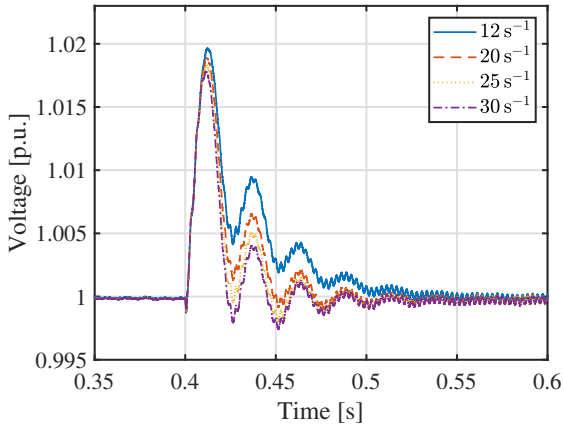


Fig. 12. Behavior of the voltage at the dc link  $v_{dc}(t)$  by varying the integral gain of the  $PI_1$  controller.

As reported in Table VII, the simulation empirically proves that  $\tau_{dc} = 1/b_1$  depends on the coefficients of the outer loop regulator of the control system of the rectifier ( $PI_1$  shown in Fig. 3). Particularly, increasing the integral gain  $K_I$ , the time constant decreases, resulting in a faster transient (Fig. 12). On the other hand, the frequency  $f_1$  depends on the choice of the saturation limit of the inverter's inner control loop ( $PI_4$  shown in Fig. 4). Particularly, increasing the saturation limit, the frequency increases (Fig. 13).

## VI. CONCLUSION

This work analyzes in detail the different components of high voltage shore connection systems for modern ships. The

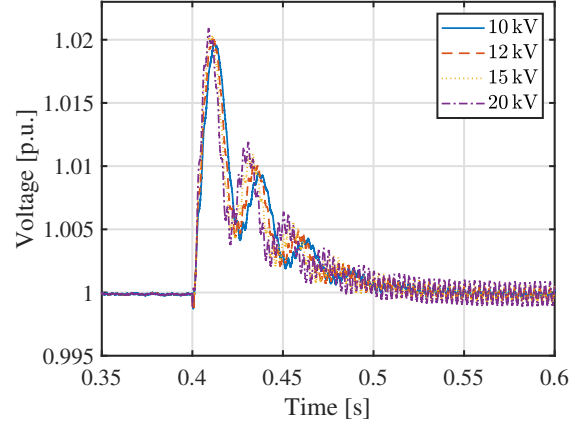


Fig. 13. Behavior of the voltage at the dc link  $v_{dc}(t)$  by varying the saturation limit of the  $PI_4$  controller.

TABLE VII  
COEFFICIENTS OF EQUATION (4) WHEN THE INTEGRAL GAIN OF  $PI_1$ ,  $K_I$ , AND THE SATURATION LIMIT OF  $PI_4$  ARE MODIFIED. WHEN THE INTEGRAL GAIN VARIES, THE SATURATION IS SET TO  $\pm 10$  kV, WHEN THE SATURATION VARIES, THE INTEGRAL GAIN IS SET TO  $12 \text{ s}^{-1}$ .

	$a_1$	$b_1$	$c_1$	$f_1$
$K_I = 12 \text{ s}^{-1}$	410 V	$27 \text{ s}^{-1}$	0.55	38 Hz
$K_I = 20 \text{ s}^{-1}$	395 V	$40 \text{ s}^{-1}$	0.61	38 Hz
$K_I = 25 \text{ s}^{-1}$	395 V	$54 \text{ s}^{-1}$	0.68	38 Hz
$K_I = 30 \text{ s}^{-1}$	380 V	$60 \text{ s}^{-1}$	0.74	38 Hz
Sat = $\pm 10$ kV	410 V	$27 \text{ s}^{-1}$	0.55	38 Hz
Sat = $\pm 12$ kV	420 V	$28 \text{ s}^{-1}$	0.55	42 Hz
Sat = $\pm 15$ kV	423 V	$28 \text{ s}^{-1}$	0.54	46 Hz
Sat = $\pm 20$ kV	426 V	$29 \text{ s}^{-1}$	0.53	50 Hz

relevant standards have been discussed and the system behavior in case of single phase-to-ground fault and three-phase short circuit has been analyzed. For this purpose, a complete electro-magnetic dynamic model has been developed in Matlab Simulink, and several scenarios have been simulated, including the special case when the ship delivers power to the terrestrial distribution network. In order to use reasonable values for the model parameters, an extensive literature review was performed, existing shore-ship interconnections schematics were analyzed and manufacturers' data sheets were used.

In the case of single phase-to-ground fault, a crucial role is played by the value of the neutral grounding resistor of the shore-side transformer, while the operation with earthing switch open results in lower values of the touch voltage. The results show that the admissible values of the NGR range between  $125 \Omega$  and  $3500 \Omega$ , where "admissible" means that the rules imposed by reference Standards and best practice are not violated in any operating scenario.

On the other hand, in the case of three-phase short circuit, a crucial role is played by the outer loop regulator of the rectifier and by the inner current control loop of the inverter. In fact, there is a strict correlation between the voltage at the dc link

and the decay oscillating component of the short circuit current, which impacts the peak short-circuit current. In particular, thanks to the simulation results, empirical equations have been obtained to describe the impact of control system parameters on the short circuit current of the frequency converter.

## REFERENCES

- [1] M. Viana, P. Hammingh, A. Colette, X. Querol, B. Degraeuwe, I. de Vlieger, and J. van Aardenne, "Impact of maritime transport emissions on coastal air quality in Europe," *Atmospheric Environment*, vol. 90, pp. 96–105, 2014.
- [2] International Maritime Organization (IMO), "Annex 11, resolution MEPC.304(72): Initial IMO strategy on reduction of GHG emissions from ships," 2018.
- [3] European Commission, "The European Green Deal," European Commission, Tech. Rep., 2019.
- [4] J. Kumar, L. Kumpulainen, and K. Kauhaniemi, "Technical design aspects of harbour area grid for shore to ship power: State of the art and future solutions," *Int. J. Electr. Power Energy Syst.*, vol. 104, no. August 2018, pp. 840–852, 2019.
- [5] J. Prousalidis, G. Antonopoulos, C. Patsios, A. Greig, and R. Bucknall, "Green shipping in emission controlled areas: Combining smart grids and cold ironing," in *2014 International Conference on Electrical Machines (ICEM)*, 2014, pp. 2299–2305.
- [6] T. P. Zis, *Green Ports*. Springer, 2019.
- [7] B. Stolz, M. Held, G. Georges, and K. Boulouchos, "The  $CO_2$  reduction potential of shore-side electricity in Europe," *Appl Energy*, vol. 285, Mar. 2021.
- [8] F. D'Agostino, G. P. Schiapparelli, S. Dallas, D. Spathis, V. Georgiou, and J. Prousalidis, "On estimating the port power demands for cold ironing applications," in *2021 IEEE Electric Ship Technologies Symposium (ESTS)*, 2021, pp. 1–5.
- [9] T. P. Zis, "Prospects of cold ironing as an emissions reduction option," *Transportation Research Part A: Policy and Practice*, vol. 119, pp. 82–95, 2019.
- [10] R. Winkel, U. Weddige, D. Johnsen, V. Hoen, and S. Papaefthimiou, "Shore Side Electricity in Europe: Potential and environmental benefits," *Energy Policy*, vol. 88, pp. 584–593, 2016.
- [11] *Utility connections in port – Part 1: High voltage shore connection (HVSC) systems – General requirements*, IEC/IEEE Std. 80005-2, 2019.
- [12] D. Paul and P. Chavdarian, "System Capacitance and its Effects on Cold Ironing Power System Grounding," in *IEEE Industrial and Commercial Power Systems Technical Conference*, 2006, pp. 1–11.
- [13] D. Paul and V. Haddian, "A closer look at the grounding of shore-to-ship power supply system," in *Conference Record 2009 IEEE Industrial & Commercial Power Systems Technical Conference*, 2009, pp. 1–7.
- [14] J. Nelson, D. Burns, R. Seitz, and A. Leoni, "The grounding of marine power systems: problems and solutions," in *Fifty-First Annual Conference 2004 Petroleum and Chemical Industry Technical Conference*, 2004, pp. 151–161.
- [15] D. Paul and V. Haddian, "Shore-To-Ship Power Supply System for a Cruise Ship," in *IEEE Industry Applications Society Annual Meeting*, 2009, pp. 1–7.
- [16] C. Su, J. Chen, Hai-Ming Chin, Chi-Hsiang Liao, G. Parise, and P. Chavdarian, "Short-circuit current calculations of a harbor electrical distribution system with shore power connection," in *2016 IEEE Industry Applications Society Annual Meeting*, 2016, pp. 1–9.
- [17] P. A. A. Panji, A. H. Raditya, and T. Indrawan, "Short-circuit Current Calculation Application for a.c. 3 Phase on Marine and Mobile Offshore Installations Based on IEC-61363 Standard," *Procedia Engineering*, vol. 194, pp. 545–552, 2017.
- [18] *Electrical installations of ships and mobile and fixed offshore units. Part 1: Procedures for calculating short-circuit currents in three-phase a.c.*, IEC Std. 61363-1, 1998.
- [19] *Short-circuit currents in three-phase a.c. systems. Part 0: Calculation of currents*, IEC Std. 60909-0, 2016.
- [20] *Utility connections in port – Part 1: High voltage shore connection (HVSC) systems – General requirements*, IEC/IEEE Std. 80005-1, 2019.
- [21] D. Paul, K. Peterson, and P. Chavdarian, "Designing Cold Ironing Power Systems: Electrical Safety During Ship Berthing," *IEEE Ind. Appl. Mag.*, vol. 20, no. 3, pp. 24–32, 2014.
- [22] N. Mohan, T. M. Undeland, and W. P. Robbins, *Power Electronics. Converters, Applications and Design*, 3rd ed. John Wiley and Sons, Inc, 2003.
- [23] F. D'Agostino, A. Fidigatti, E. Ragaini, and F. Silvestro, "Integration of Shipboard Microgrids Within Land Distribution Networks: Employing a Ship Microgrid to Meet Critical Needs," *IEEE Electrification Mag.*, vol. 7, no. 4, pp. 69–80, 2019.
- [24] A. Bolzoni, R. Perini, and L. Frosio, "A stability-oriented design method for virtual impedance loop in droop-controlled converters," in *2017 IEEE International Conference on Environment and Electrical Engineering and 2017 IEEE Industrial and Commercial Power Systems Europe (EEEIC / I CPS Europe)*, 2017, pp. 1–6.
- [25] S. Grillo, V. Musolino, L. Piegari, E. Tironi, and C. Tornelli, "DC islands in AC smart grids," *IEEE Trans. Power Electron.*, vol. 29, no. 1, pp. 89–98, Jan. 2014.
- [26] A. Cuculič, J. Celic, and R. Prenc, "Marine Diesel-generator Model for Voltage and Frequency Variation Analysis During Fault Scenarios," in *Journal of Maritime and Transportation Sciences*, vol. 51, no. 1, 2016, pp. 11–24.
- [27] A. Boveri, F. D'Agostino, A. Fidigatti, E. Ragaini, and F. Silvestro, "Dynamic Modeling of a Supply Vessel Power System for DP3 Protection System," *IEEE Trans. Transport. Electrific.*, vol. 2, no. 4, pp. 570–579, 2016.
- [28] *IEEE Recommended Practices for Excitation System Models for Power System Stability Studies*, IEEE Std., Rev. 421.5-2016.
- [29] S. G. Jayasinghe, L. Meegahapola, N. Fernando, Z. Jin, and J. M. Guerrero, "Review of Ship Microgrids: System Architectures, Storage Technologies and Power Quality Aspects," *Inventions*, vol. 2, no. 1, 2017.
- [30] A. Emadi, A. Khaligh, C. Rivetta, and G. Williamson, "Constant Power Loads and Negative Impedance Instability in Automotive Systems: Definition, Modeling, Stability, and Control of Power Electronic Converters and Motor Drives," *IEEE Trans. Veh. Technol.*, vol. 55, pp. 1112–1125, 08 2006.
- [31] M. Kozak and J. Chmiel, "Cold Ironing Galvanic Corrosion Issues with Regard to a Shore-to-Ship Medium Voltage Connection," in *Energies 2020*, vol. 13, no. 5372, 2020.
- [32] G. Sulligoi, D. Bosich, A. Rin, and F. Tosato, "An examination of mutual influences between high-voltage shore-connected ships and port earthing systems during phase-to-ground faults," in *IEEE Electric Ship Technologies Symposium*, 2011, pp. 306–309.
- [33] G. Sulligoi, D. Bosich, R. Pelaschiar, G. Lipardi, and F. Tosato, "Shore-to-Ship Power," *Proc. IEEE*, vol. 103, pp. 1–20, 2015.
- [34] P. Debye and E. Hückel, "The theory of electrolytes. I. Freezing point depression and related phenomena [Zur Theorie der Elektrolyte. I. Gefrierpunktserniedrigung und verwandte Erscheinungen]," *Physikalische Zeitschrift*, vol. 24, pp. 185–206, 1923, Translated and typeset by Michael J. Braus (2020).
- [35] DNV GL, "Rules for Classification – Ship," DNV GL, DNVGL-RU-SHIP Part 4 Systems and components – Chapter 8 Electrical installations, Jul. 2020.
- [36] M. M. Islam, *Grounding, Insulation Monitoring Design, and Verification*. Wiley-IEEE Standards Association, 2018, pp. 216–241.



**Fabio D'Agostino** (S'13–M'16) received the master's degree, and the Ph.D. in Electrical Engineering from the University of Genova, in 2013 and 2017. He is currently Assistant Professor at the Department of Electrical, Electronic, Telecommunication Engineering and Naval Architecture of the University of Genova. His research activity regards protection and control of distribution networks, microgrids and shipboard power systems.

From 2021 he is one of the representatives of the IEEE Marine Systems Coordinating Committee (MSCC), and he is the Secretary of the CIGRÉ Working Group C1.45. In 2015 he has been a Visiting Scholar at the Electrical Engineering and Computer Science department of the Washington State University, where he worked in the distribution system reliability area.



**Samuele Grillo** (S'05–M'09–SM'15) received the Laurea degree in electronic engineering, and the Ph.D. degree in power systems from the University of Genova, Italy, in 2004 and 2008, respectively. He is currently an Associate Professor with the Dipartimento di Elettronica, Informazione e Bioingegneria, Politecnico di Milano, Milan, Italy.

Since 2018 he is a contributor to CIGRÉ Working Group B5.65 “Enhancing Protection System Performance by Optimising the Response of Inverter-Based Sources.”

His research interests include smart grids, integration of distributed renewable sources, and energy storage devices in power networks, optimization, and control techniques applied to power systems.



**Roberto Infantino** received the M.Sc. degree in Electrical Engineering from Politecnico di Milano, in 2020. He is currently pursuing the Second Level Specializing Master in Smart Grids coordinated by Politecnico di Milano and Enel Group. Since 2021 he is with E-Distribuzione as network planner.



**Enrico Pons** (M'15) received the master degree in electrical engineering in 2004 and the Ph.D. in industrial safety and risk analysis in 2008 from Politecnico di Torino, Torino, Italy. He is currently associate professor at Politecnico di Torino, where he teaches electrical installations. His research activities include complexity in energy systems, power systems security, complex networks methodologies for the analysis of power systems vulnerability, real-time simulation of power systems, integration of renewable generation and storage in distribution networks, smart metering, traction electrification systems and electrical safety. He

co-authored more than 80 publications, published in international conferences proceedings and in international journals.