

Meta-Analysis of cortical inhibitory interneurons markers landscape and their performances in scRNA-seq studies.

Original

Meta-Analysis of cortical inhibitory interneurons markers landscape and their performances in scRNA-seq studies / Martini, Lorenzo; Bardini, Roberta; DI CARLO, Stefano. - ELETTRONICO. - (2021), pp. 253-258. (Intervento presentato al convegno 2021 IEEE International Conference on Bioinformatics and Biomedicine (BIBM) tenutosi a Houston (USA) nel Dec. 9-12, 2021) [10.1109/bibm52615.2021.9669888].

Availability:

This version is available at: 11583/2952676 since: 2022-01-24T16:21:05Z

Publisher:

IEEE

Published

DOI:10.1109/bibm52615.2021.9669888

Terms of use:

This article is made available under terms and conditions as specified in the corresponding bibliographic description in the repository

Publisher copyright

IEEE postprint/Author's Accepted Manuscript

©2021 IEEE. Personal use of this material is permitted. Permission from IEEE must be obtained for all other uses, in any current or future media, including reprinting/republishing this material for advertising or promotional purposes, creating new collecting works, for resale or lists, or reuse of any copyrighted component of this work in other works.

(Article begins on next page)

Meta-Analysis of cortical inhibitory interneurons markers landscape and their performances in scRNA-seq studies.

Lorenzo Martini
Politecnico di Torino
Control and Computer
Engineering Department
Torino,10129, Italy
Email: lorenzo.martini@polito.it

Roberta Bardini
Politecnico di Torino
Control and Computer
Engineering Department
Torino,10129, Italy
Email: roberta.bardini@polito.it

Stefano Di Carlo
Politecnico di Torino
Control and Computer
Engineering Department
Torino,10129, Italy
Email: stefano.dicarlo@polito.it

Abstract—The mammalian cortex contains a great variety of neuronal cells. In particular, GABAergic interneurons, which play a major role in neuronal circuit function, exhibit an extraordinary diversity of cell types. In this regard, single-cell RNA-seq analysis is crucial to study cellular heterogeneity. To identify and analyze rare cell types, it is necessary to reliably label cells through known markers. In this way, all the related studies are dependent on the quality of the employed marker genes. Therefore, in this work, we investigate how a set of chosen inhibitory interneurons markers perform. The gene set consists of both immunohistochemistry-derived genes and single-cell RNA-seq taxonomy ones. We employed various human and mouse datasets of the brain cortex, consequently processed with the Monocle3 pipeline. We defined metrics based on the relations between unsupervised cluster results and the marker expression. Specifically, we calculated the specificity, the fraction of cells expressing, and some metrics derived from decision tree analysis like entropy gain and impurity reduction. The results highlighted the strong reliability of some markers but also the low quality of others. More interestingly, though, a correlation emerges between the general performances of the genes set and the experimental quality of the datasets. Therefore, the proposed method allows evaluating the quality of a dataset in relation to its reliability regarding the inhibitory interneurons cellular heterogeneity study.

I. INTRODUCTION

The cerebral cortex is one of the most complex systems in biology, with an extraordinary variety of specialized cells forming the neuronal circuit at the base of the brain functions [1]. It is composed primarily of neuronal and non-neuronal cells. Neuronal cells are mainly divided into excitatory (or glutamatergic) and inhibitory (or GABAergic) neurons. Excitatory neurons comprise the majority of cells and connect distal areas of the cortex. Inhibitory neurons, primarily composed of interneurons, connect locally to excitatory neurons and inhibit the transmission in neuronal circuits. In particular, GABAergic interneurons show several subtypes, which differ in morphology, functionality, neurochemical and physiological properties. The deep and complete understanding and taxonomy of inhibitory interneurons is still an open problem in biology [2].

To help with this challenge, the employment of single-cell RNA sequencing (scRNA-seq) data is important. ScRNA-seq allows the investigation of the gene-expression profile with single-cell resolution, enabling the study of cellular heterogeneity at the transcriptional level [4][5]. The scRNA-seq analysis typically involves unsupervised clustering algorithms, which cluster cells of a dataset into groups based on mathematical and topology-based algorithms. However, these clusters, and more importantly, the cells they contain, have no biological identities. To label them, one usually performs differential expression analysis or investigates the expression of cell-type-related marker genes. In both cases, the discriminative ability and reliability of the selected marker genes are crucial for heterogeneity studies, especially regarding the rare cell types identification.

This paper focuses on GABAergic interneurons subtypes identification. It aims at investigating the landscape of biomarkers commonly employed for their analysis. One of the main contributions is the analysis of the marker reliability when applied to the scRNA-seq analysis. The analysis takes into consideration literature-based markers from immunohistochemistry studies and single-cell taxonomy analysis. Moreover, the paper defines metrics to highlight and evaluate the marker's performances to enable quantitative comparison. These metrics have been defined to be general and easy to apply, so one could employ them to investigate other biomarkers for various cell type populations.

II. MATERIALS AND METHODS

A. Literature Markers study

We started with an extensive literature review to understand how the state-of-the-art defines the subtypes of the cortical GABAergic interneurons. We initially focused on various studies involving this type of cells, including immunohistochemistry (Figure 1a) and scRNA-seq (Figure 1b) analyses. The result is an increasingly complicated landscape of markers and subgroups. Here we give an overview of their classification, considering different levels of hierarchy. First, all inhibitory

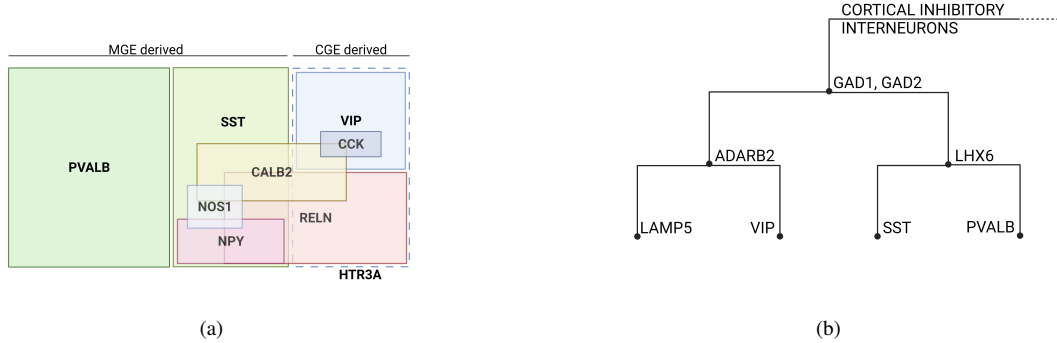


Fig. 1. Cortical inhibitory interneurons biomarkers are derived from the analysis of the literature. (a) Biomarkers identified using immunohistochemistry studies (adapted from [3]). (b) Taxonomy and related markers derived from scRNA-seq analysis studies.

neurons are characterized by using γ -aminobutyric acid as a neurotransmitter strictly related to the enzyme glutamic acid decarboxylase (GAD), encoded by the genes *Gad1* and *Gad2* [6]. These two genes are notoriously employed to identify inhibitory neurons as a whole and are broadly accepted as their markers. Then cortical interneurons are divided into two categories, dependent on their anatomical origin in the developmental cortex [3][7]. The first one is the *medial ganglionic eminence* (MGE) derived cells from which the majority (about 70% [8]) of the cortical interneurons derives. The remaining cells are *central ganglionic eminence* (CGE)-derived. Regarding, this subdivision, we identified, from immunohistochemistry the gene 5-Hydroxytryptamine Receptor 3A (*Htr3a*) linked to CGE-derived cells, and from scRNA-seq studies the genes Adenosine Deaminase RNA Specific B2 (*Adrab2*) and LIM Homeobox 6 (*Lhx6*) respectively for MGE and CGE derived cells. These two subgroups give then origin to a constellation of subtypes [8][1]. For this research, we investigate them using gene expression. The MGE-derived cells are classified into two non-overlapping subtypes, the *parvalbumin-expressing* (PVALB), and the *somatostatin-expressing* (SST) cells, named after their characterizing genes *Pvalb* and *Sst*. Our investigation of the immunohistochemistry landscape and single-cell taxonomy leads to a complex landscape of genes, whose expression defines subclasses of interneurons overlapping with each other (Figure 1a) [8][3][9]. Therefore, after this preliminary analysis, we decided to divide the remaining CGE-derived cells, into two subgroups. The *vasoactive intestinal peptide-expressing* (VIP) cells related to the *Vip* gene, and *non-Vip-expressing*(LAMP) cells with the Lysosomal Associated Membrane Protein Family Member 5 (*Lamp5*) gene as a marker. Overall, Figure 1 recapitulates the division and the related markers of the cortical inhibitory interneurons. Based on this preliminary analysis, we decided to consider a division into four subclasses, namely PVALB, SST, VIP, and LAMP, based on the expression of the genes *Pvalb*, *Sst*, *Vip*, *Lamp5*. Two classes (i.e., PVALB and SST) are associated with CGE-derived cells, and two classes (i.e., VIP and LAMP) are associated with MGE-derived cells. We

considered a collection of 9 marker genes (i.e., *Gad1*, *Gad2*, *Adrb2*, *Htr3a*, *Lhx6*, *Pvalb*, *Sst*, *Vip*, and *Lamp5*) for which we accurately calculated the defined metrics to understand their capability to discriminate different classes of cells reliably.

B. Data collection and availability

This work aims to study the overall performance of some marker genes within the context of scRNA-seq analysis. Therefore we need a collection of different datasets to perform a significant meta-analysis able to characterize an average single-cell experiment. Since the previous discussion on cortical inhibitory interneuron diversity is valid for the general mammalian brain cortex, we included datasets from *Mus Musculus* and *Homo Sapiens* samples and examined homologous markers between the two species. To account for possible differences, we refer to the Hodge et al. study [10]. All the samples are from comprehensive cortex studies or specific anatomical and functional cortex regions. We collected and processed a total of 9 datasets: three from *Homo Sapiens* and six from *Mus Musculus*. The two main sources for the acquisition were the Allen Brain Map database [11] of the Allen Institute and the Single Cell Portal [12]. Specifically, four datasets come from Allen (i.e., Allen Human ACC [13], Allen Human MTG [14], Allen Human VISP [13], and Allen Mouse Cortex [15]), four from the Single Cell Portal (i.e., SCP2 mouse AUD [16], SCP3 mouse ORB [17], SCP5 mouse Visp [18], and SCP6 mouse MOP [19]), and a dataset from a multimodal technique experiment (SNARE mouse cortex, GEO accession number: GSE126074 [20]).

C. Datasets processing

To process the scRNA-seq datasets, we employed the well-known pipeline Monocle3 [21] implemented in R [22]. In this way, we guarantee to mimic the workflow typically employed in single-cell data analysis [5]. For each dataset, we followed the standard workflow illustrated in their vignette [21]. In particular, one must pay attention to the clustering resolution. Since we are working with four types of inhibitory interneurons (i.e., PVALB, SST, VIP, and LAMP), we decided to work with a final clustering division including four clusters.

This enabled us to qualitatively examine the expression of the selected markers and their ability to identify the correct clusters of inhibitory interneurons. This step is important since it defines the cell type classification on which we measured the performance of the related marker genes. Moreover, besides *Gad1* and *Gad2* that are global markers whose metrics can be computed taking into account all the cells in the datasets, for the remaining markers, only cells labeled with a specific group have been considered in the metric calculation.

The full set of R scripts required to reproduce the proposed meta-analysis are deposited in an open repository on GitHub: <https://github.com/sysbio-polito/cRNA-seq-interneurons-markers-analysis>. Interested readers can refer to the documentation available in the repository for additional technical details.

D. Metrics definition

To evaluate the performance of the marker genes, we first need to define a set of metrics designed for this task. Good metrics should reflect how a gene is strictly related to a particular group of cells and how good a feature is for the cell classification. Regardless, we need a ground truth classification to calculate the metrics. For this purpose, we considered the unsupervised clusters obtained from the dataset processing. Specifically, we labeled the clusters with the four defined subtypes (i.e., PVALB, SST, VIP, and LAMP), qualitatively assessing the overall expression of the related genes. With this in mind, we defined four metrics.

First of all, we want to measure how much a marker is associated with a cell type. The idea is that a perfect cell type marker is expressed by all the cells it identifies and only by them. For this purpose, we established two correlated metrics: the *fraction expressing* and the *specificity*. The *fraction expressing* is simply the percentage of cells expressing the marker in the cluster. The *specificity* instead indicates how much the marker expression is specific to a cluster. In particular, an optimal marker is expressed only inside the related cluster. We applied a method based on the Jensen-Shannon divergence [23], also used in Monocle3 algorithms to calculate the specificity during differential analysis [24]. Of course, these two metrics are not optimal if employed alone, but it is better to look at their correlation.

The other two metrics, instead, are an evaluation of the informativeness of the markers. Specifically, we treat the cluster classification problem like a decision tree problem, and we try to understand how much the features are informative for the clusters. Therefore, we initially take the cluster classification as a training set, breaking it into subgroups based on some features. In this case, the features are the expression levels of the markers in each cell. Given the resulting partitioning, one can evaluate the classification power of the marker with some well-known metrics: the *Information Gain* [23] and the *Impurity Reduction* [25]. The first is based on Shannon Entropy (H), the second is based on Gini Index (G). The Shannon Entropy (1) measures the amount of uncertainty of a random variable with a probability distribution [23]. Its

value ranges between 0 in the case of a certain event (i.e., classification with all equal values) and 1 in the case of a completely random event.

$$H(X) = - \sum_i^N p(x_i) \log(p(x_i)) \quad (1)$$

In our case, given a classification X (i.e., the list of all cells' labels) with N possible classes (i.e., the number of subtypes we are considering), $p(x_i)$ represents the probability of the i-th class x_i . Thus, the sum is over all the N classes. The Gini Index (2) calculates the probability of a selected element to be incorrectly classified when randomly labeled [25]. Like H, it assumes values between 0 (i.e., purity of classification) and 1 (i.e., random distribution).

$$G(X) = 1 - \sum_i^N p(x_i)^2 \quad (2)$$

$p(x_i)$ and x_i have the same meaning as for the Shannon Entropy. These two metrics are similar in what they estimate, and one could employ only one of the two. However, it is interesting to calculate both since we do not know which one fits better our classification problem. Anyway, they are optimal to evaluate the performance in a classification scenario, a relevant task in labeling a scRNA-seq dataset. It is important to highlight that all the metrics presented here are independent of the particular cellular heterogeneity study but can be applied to examine any set of markers.

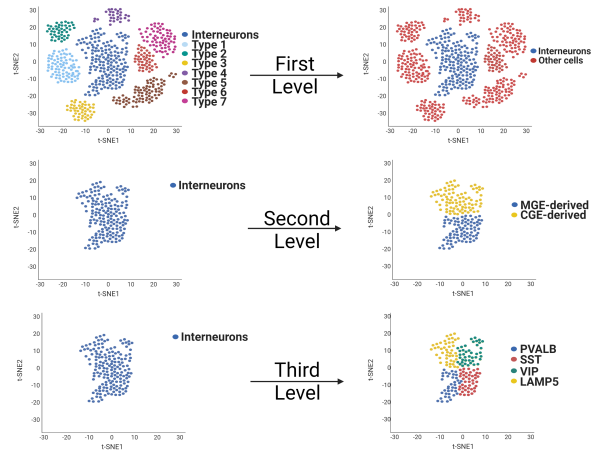


Fig. 2. Schematic representation of the cell clustering for metrics calculation. At first, for the markers *Gad1* and *Gad2*, a heterogeneous population of cells from the datasets (heterogeneity is depicted in an abstract way with different colors) was considered. Cells are split into two clusters: interneurons and other cells. Only interneurons are considered and analyzed at the second and third levels, considering respectively two and four subgroups.

E. Metrics calculation

After the definition of the metrics, we explain how we calculated them for each dataset. Given a processed dataset with the interneurons clusters identified, we calculated the

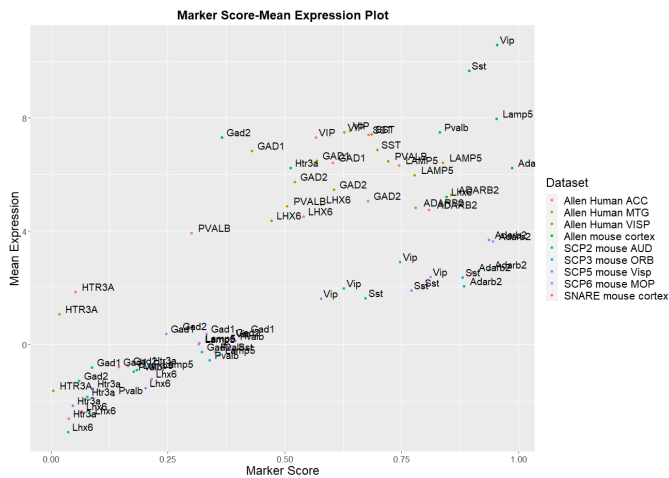


Fig. 6. Marker Score-Mean Expression plot showing the relation between overall marker performance and the log value of the mean expression. One can see two blocks. One where the markers with low mean expression also have low marker scores, and vice versa a second one where markers with higher expression values also have higher mean scores. This shows that datasets with higher mean expression result in markers with better performances.

the ability of the marker to discriminate the related cell type from the other cells, highlighting in this way his marker strength. Therefore this suggests his employment for similar works. Generally, one can expect that a marker from taxonomy studies performed on scRNA-seq experiments will perform better on our datasets because data derive from the same type of experimental analysis. The opposite case is *Htr3a*, an immunohistochemistry-derived marker for the same cell type as *Adarb2*. We observe a worrying trend with *Htr3a* that cannot be considered an optimal marker, despite the literature consistently proposes it as a CGE-derived cell marker. Immunohistochemistry and transcriptional analysis are different points of view on the cell mechanisms, but there should be some level of agreement. This highlights a common problem of scRNA-seq analysis where the markers employed to label the clusters come from the immunohistochemistry literature, even if they are not always optimal for transcriptomic data. Apart from the above-mentioned markers, which have high consistency within datasets, the other genes appear to vary a lot. Our analysis remarked a correlation between the marker performance and its mean expression throughout the dataset. This is particularly interesting since it indicates that datasets with higher experimental mean expression influence the classification reliability of the markers. Therefore, we can say that if one is interested in rare cell type investigation (or, more in general, precise cell type labeling), he should employ datasets with a higher average mean expression, which ensures higher markers performances.

In conclusion, this work shows how the formal analysis of markers' consistency and reliability supports a well-informed choice of markers for cellular heterogeneity studies. In our view this should become a habitual practice in the common single cell analysis workflow.

- [1] S. Lodato and P. Arlotta, "Generating neuronal diversity in the mammalian cerebral cortex," *Annu Rev Cell Dev Biol.*, no. 31, pp. 699–720, 2015.
- [2] H. Markram *et al.*, "Interneurons of the neocortical inhibitory system," *Nature reviews neuroscience*, vol. 5, no. 10, pp. 793–807, 2004.
- [3] K. T. Sultan and S.-H. Shi, "Generation of diverse cortical inhibitory interneurons," *Wiley Interdiscip Rev Dev Biol.*, vol. 7, no. 2, 2018.
- [4] H. Byungjin, J. H. Lee, and B. Duhee, "Single-cell rna sequencing technologies and bioinformatics pipelines," *Experimental & Molecular Medicine*, vol. 50, no. 8, pp. 1–14, 2018.
- [5] M. D. Luecken and F. J. Theis, "Current best practices in single-cell rna-seq analysis: a tutorial," *Molecular systems biology*, vol. 15, no. 6, p. e8746, 2019.
- [6] T. Riedemann, "Diversity and function of somatostatin-expressing interneurons in the cerebral cortex," *Int J Mol Sci.*, vol. 20, no. 50, p. 2952, 2019.
- [7] Q. Xu, I. Cobos *et al.*, "Origins of cortical interneuron subtypes," *Journal of Neuroscience*, vol. 24, no. 11, pp. 2612–2622, 2004.
- [8] E. Rossignol, "Genetics and function of neocortical gabaergic interneurons in neurodevelopmental disorders," *Neural plasticity*, vol. 2011, no. 649325, 2011.
- [9] A. Touzot, "Migration and specification of ege-derived gabaergic cortical interneurons during mouse development," Ph.D. dissertation, Universit e Nice Sophia Antipolis, 2014.
- [10] R. D. Hodge *et al.*, "Conserved cell types with divergent features in human versus mouse cortex," *Nature*, vol. 573, no. 7772, pp. 61–68, 2019.
- [11] Allen Institute for brain science, "  2010 allen cell types database," Available at <https://portal.brain-map.org/atlasses-and-data/rnaseq>.
- [12] The Broad Institute of MIT and Harvard, "Single cell portal," Available at https://singlecell.broadinstitute.org/single_cell.
- [13] A. I. for brain science, "Human vl and acc - smart-seq," Available at <https://portal.brain-map.org/atlasses-and-data/rnaseq/human-vl-acc-smart-seq>.
- [14] —, "Human mtg smart-seq," Available at <https://portal.brain-map.org/atlasses-and-data/rnaseq/human-mtg-smart-seq>.
- [15] —, "Mouse vl and alm smart-seq," Available at <https://portal.brain-map.org/atlasses-and-data/rnaseq/mouse-vl-and-alm-smart-seq>.
- [16] T. B. I. of MIT and Harvard, "Study: Single nuclei dataset, auditory cortex (md721)," Available at https://singlecell.broadinstitute.org/single_cell/study/SCP472/single-nuclei-dataset-auditory-cortex-md721?scpr=biccn-anatomy-and-morphology-project.
- [17] —, "Study: Single nuclei dataset, orb/pl (md720/md721)," Available at https://singlecell.broadinstitute.org/single_cell/study/SCP477/single-nuclei-dataset-orb-pl-md720-md721?scpr=biccn-anatomy-and-morphology-project.
- [18] —, "Study: Single nuclei dataset, visp (md700)," Available at https://singlecell.broadinstitute.org/single_cell/study/SCP554/single-nuclei-dataset-visp-md700.
- [19] —, "Study: Single nuclei dataset, mop (11) (md705)," Available at https://singlecell.broadinstitute.org/single_cell/study/SCP557/single-nuclei-dataset-mop-11-md705#study-summary.
- [20] S. Chen, B. B. Lake, and K. Zhang, "High-throughput sequencing of the transcriptome and chromatin accessibility in the same cell," *Nature biotechnology*, vol. 37, no. 12, pp. 1452–1457, 2019.
- [21] C. Trapnell *et al.*, "The dynamics and regulators of cell fate decisions are revealed by pseudotemporal ordering of single cells," *Nature biotechnology*, vol. 32, no. 4, pp. 381–386, 2014.
- [22] R Core Team, *R: A Language and Environment for Statistical Computing*, R Foundation for Statistical Computing, Vienna, Austria, 2020. [Online]. Available: <https://www.R-project.org/>
- [23] T. M. Cover, *Elements of information theory*. John Wiley & Sons, 1999.
- [24] C. Trapnell, "Monocle3 documentation: top_markers: Identify the genes most specifically expressed in groups of," Available at https://rdrr.io/github/cole-trapnell-lab/monocle3/man/top_markers.html.
- [25] L. Rokach and O. Maimon, "Top-down induction of decision trees classifiers - a survey," *IEEE Transactions on Systems, Man, and Cybernetics, Part C (Applications and Reviews)*, vol. 35, pp. 476–487, 2005.
- [26] F. M. Krienen *et al.*, "Innovations present in the primate interneuron repertoire," *Nature*, vol. 586, no. 7828, pp. 262–269, 2020.