

Method and Investigation device for measuring stresses in an agglomerate structure

Original

Method and Investigation device for measuring stresses in an agglomerate structure / Bertagnoli, Gabriele. - (2016).

Availability:

This version is available at: 11583/2850195 since: 2020-10-28T09:08:25Z

Publisher:

Published

DOI:

Terms of use:

This article is made available under terms and conditions as specified in the corresponding bibliographic description in the repository

Publisher copyright

(Article begins on next page)



- (51) **International Patent Classification:**
G01M 5/00 (2006.01) *G01L 1/20* (2006.01)
- (21) **International Application Number:**
PCT/IB20 17/0521 13
- (22) **International Filing Date:**
12 April 2017 (12.04.2017)
- (25) **Filing Language:** Italian
- (26) **Publication Language:** English
- (30) **Priority Data:**
1020160000373 14 12 April 2016 (12.04.2016) IT
- (71) **Applicant:** SAFECERTIFIEDSTRUCTURE TECNOLOGIA S.R.L. [IT/IT]; Via Ravenna, 15, 00161 Roma (IT).
- (72) **Inventor:** BERTAGNOLI, Gabriele; Via Palmieri, 23, 10143 Torino (IT).
- (74) **Agents:** CANTALUPPI, Stefano et al; Piazzetta Cappelato Pedrocchi, 18, 35 122 Padova (IT).
- (81) **Designated States** (unless otherwise indicated, for every kind of national protection available): AE, AG, AL, AM, AO, AT, AU, AZ, BA, BB, BG, BH, BN, BR, BW, BY,

BZ, CA, CH, CL, CN, CO, CR, CU, CZ, DE, DJ, DK, DM, DO, DZ, EC, EE, EG, ES, FI, GB, GD, GE, GH, GM, GT, HN, HR, HU, ID, IL, IN, IR, IS, JP, KE, KG, KH, KN, KP, KR, KW, KZ, LA, LC, LK, LR, LS, LU, LY, MA, MD, ME, MG, MK, MN, MW, MX, MY, MZ, NA, NG, NI, NO, NZ, OM, PA, PE, PG, PH, PL, PT, QA, RO, RS, RU, RW, SA, SC, SD, SE, SG, SK, SL, SM, ST, SV, SY, TH, TJ, TM, TN, TR, TT, TZ, UA, UG, US, UZ, VC, VN, ZA, ZM, ZW.

(84) **Designated States** (unless otherwise indicated, for every kind of regional protection available): ARIPO (BW, GH, GM, KE, LR, LS, MW, MZ, NA, RW, SD, SL, ST, SZ, TZ, UG, ZM, ZW), Eurasian (AM, AZ, BY, KG, KZ, RU, TJ, TM), European (AL, AT, BE, BG, CH, CY, CZ, DE, DK, EE, ES, FI, FR, GB, GR, HR, HU, IE, IS, IT, LT, LU, LV, MC, MK, MT, NL, NO, PL, PT, RO, RS, SE, SI, SK, SM, TR), OAPI (BF, BJ, CF, CG, CI, CM, GA, GN, GQ, GW, KM, ML, MR, NE, SN, TD, TG).

Declarations under Rule 4.17:

— of inventorship (Rule 4.17(iv))

Published:

— with international search report (Art. 21(3))

WO2017/178985 A1

(54) **Title:** METHOD AND INVESTIGATION DEVICE FOR MEASURING STRESSES IN AN AGGLOMERATE STRUCTURE

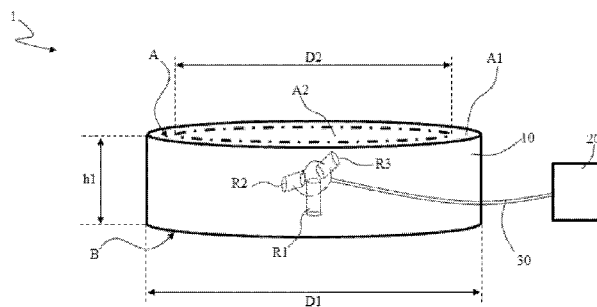


Figure 1

(57) **Abstract:** Method and investigation device associated therewith, for measuring stresses in an agglomerate structure including a binder and a bonded substance, comprising the steps of providing, at one or more points on said structure, at least one investigation device (1) able to measure at least three deformations of said investigation device that are oriented relative to one another on three axes, detecting the corresponding at least three deformation measurements (E1, E2, E3), and calculating a stress (SYY) that is proportional to a combination of said at least three deformation measurements (E1, E2, E3) at the corresponding point.

Method and investigation device for measuring stresses in an agglomerate structure

Description

Technical field

5 The present invention relates to a method and to an investigation device for measuring stresses in agglomerate structures having the features set out in the preambles of the respective independent claims.

Technological background

10 In the field of investigating structures, a frequent technical problem is related to monitoring the stresses present within the structure.

 Measuring a stress within a solid body presents considerable difficulties, and the measurement is usually obtained indirectly by measuring deformations on the outer surface of the elements forming the structure or directly within said structure. The measurement of a deformation is converted to the measurement of a stress by
15 knowing in advance the constitutive equation of the material being measured. This conversion is simple and reliable for linear resilient materials, the mechanical properties of which are: constant over time and uniform in space within the structure itself, precisely known, and subject to low statistical scattering. This category of materials includes for example metals such as steels and aluminium
20 alloys.

 Major difficulties occur when it is desired to obtain a stress within a structure of which the material features are neither uniform in space nor constant over time and are generally not precisely known in advance, as is the case for example for all cementitious mixes. Further difficulties occur as a result of the viscoelastic nature
25 of the cementitious material (a feature associated with agglomerates in general), which tends to result in non-constant deformations and stress states both in the short term and in the long term, even as a result of constant applied loads. It is thus found that specific, dedicated detection systems for monitoring and

recognising the mechanical behaviour of an agglomerate structure occur.

In this technical field, a relevant document is US 3286513 A, which relates to a probe for use in measuring deformations of a concrete element. More particularly, the invention relates to a concrete probe, intended to be incorporated into a concrete element for simultaneously measuring six deformations at a desired point in the concrete.

The elements responsible for measuring the deformations are arranged in a tetrahedral shape, and the extensometers used are glued to said tetrahedral support structure.

It is further important to note that the six detected deformations are related to six locally different contributions.

The extensometers mounted on the tetrahedral structure measure the deformations of the agglomerate, and thus provide data affected by the viscosity of the material and thus do not provide information about the stress state in the agglomerate.

In this technical field, US 2002/154029 A1 describes a system and a method for wireless analyses which are based on a device for detecting the condition of a cementitious structure (the parameters investigated may be both physical and chemical). In particular, it is provided that a wireless signal is transmitted through the walls of the above-mentioned structure. The individual device is further uniquely identified so as to be able to recognise and query it, even among a plurality of similar devices.

It is also appropriate to cite US 2012/210780 A1, which relates to a method and an apparatus for detecting the structural stability of an area of an object which may be rock, cement or soil. The method and apparatus include providing a plurality of electrodes in the area of the object in a depth direction and measuring a micropotential difference by way of electrodes, thus generating a micropotential difference when the filler material is deformed by an applied force. The document

does not cite teachings either concerning the relevant stresses or concerning possible interfering viscoelastic behaviours of the system.

DE 102013008777 AI describes a method for determining the mechanical strains in components, preferably in cement, by way of a measuring body
5 connected to an ultrasound apparatus.

Further, ES 2353544 AI describes the use of carbon nanofibers for cement structures (for example pastes, mortars, concretes) with the aim of using said composite materials for monitoring the deformations thereof due to external actions without an incorporated or connected sensor. The disclosed method is based on
10 modifying the electrical resistance of the cement/carbon nanofiber composites when subjected to stress.

Further, also in this technological field, it is appropriate to mention, among the solutions most frequently adopted for these investigation steps:

- a) flat jacks;
- 15 b) deformation meters;
- c) concrete stressmeters.

a) Flat jacks

Systems of this type are generally formed using a flattened shell, for
20 example two sheets of steel welded at the perimeter, containing a fluid (generally oil) of which the pressure is measured by a manometer. Flat jacks typically have a wide, thin shape, and are commonly only used for isolated measurements, as a result of the need to collect information about a predetermined structure: they are actually temporarily inserted into specific cavities formed in the cementitious
25 structures or wall structures to be analysed, and, once the investigation is concluded, they are extracted from the cement structure or wall structure and the cavities are filled with mortar or similar materials so as to reduce the structure stresses due to the removal of the pre-existing material.

The stress acting on the structure in the direction orthogonal to the faces of the jack is obtained by recording the value of the pressure to which the fluid is subjected by way of a complex of hydraulic connections and reading devices.

5 This technical solution has a number of drawbacks:

- It requires demolition interventions to form the housings for said jacks within the structure.
- The dimensions of the steel sheets, of several tens of square centimetres, may be found to be too invasive for a structure having reduced dimensions
10 and may form weak points which place the structural safety at risk.
- This is a solution typically used in the presence of a human operator who directs the installation, takes the measurements, removes the installation and checks the restoration of the structural damage introduced.
- This is not a set of tools typically suitable for being permanently connected to
15 a structure under investigation, since the pressure of the fluid would also have to be kept constant over time at an extremely low tolerance, and the system of hydraulic connections is often incompatible with permanent applications.

20 b) Deformation meters

Deformation meters are tools suitable for measuring variations in the distance between two points forming the measurement base. They may be mechanical, electromechanical, electrical, inductive and/or magnetic, optical or laser devices.

25 The measurement base is generally positioned on the outer faces of the structure to be monitored, and may be of a length ranging from a few millimetres to tens of centimetres.

Depending on the technology in which they are implemented, the tools measure the number of rotations of a gear system, variations in electrical resistance, in magnetic field, in wavelength of a light source or number of waves thereof and in electrical capacitance of a capacitor.

5 All of the measurements are subsequently traced back to the relative displacement between the two points forming the measurement base. The average deformation on the measurement base can thus be obtained by dividing the relative displacement by the initial length of the measurement base. The stress can subsequently be derived from the deformation if the constitutive equation of the
10 material is known.

Technical solutions of this type have two major drawbacks:

- The mechanical features of the cementitious mixes, such as the constitutive equation, are not constant either in space or over time and are not generally precisely known in advance.
- 15 • Cementitious mixes are viscoelastic in nature, in other words the deformations vary considerably over time (even by amounts greater than 200 %), even in the presence of constant stresses, and the viscoelastic equation governing this variation is not generally precisely known in advance.

20

c) concrete stressmeters

Another type of solution provided in the art involves concrete stressmeters (meters for measuring the stress of the agglomerate). These tools can be inserted inside the agglomerate casting, and comprise a porous cup-shaped shell within
25 which a portion of agglomerate of a type equivalent to that of the structure under investigation is held. The shell makes it possible to exchange gas and vapours along the walls of the cup (in this way, it is attempted to make the reaction processes uniform with the moisture present in the structure between the portion

inside the container and the surrounding portion), but not mechanical forces, between the agglomerate inside the container and the agglomerate outside the container, whilst mechanical forces can be transmitted between the concrete casting and the agglomerate inside the cup at the base of said cup and on the opposite open side. The agglomerate actually analysed is the agglomerate enclosed within the cup. An example of these industrial products is the Model 4370 concrete stressmeter from Geokon, in which the stresses of the enclosed agglomerate are read by way of a load cell housed at the base of said cup.

This solution has the following drawbacks:

- 10 • This is a bulky investigation system (the Model 4370 from Geokon has a cylindrical structure of a length of approximately 600 mm and a diameter of approximately 76 mm), and thus requires sufficiently large structures so as to be able to house it, making it only applicable to castings having large dimensions, in which introducing the device does not lead to significant interference in the structural behaviour.
- 15 • The stressmeter has to be suitably connected within the cementitious structure under investigation during the casting steps, and has to be positioned immediately before casting and filled with the same material forming the casting immediately before being installed, thus interfering with the other construction site operations.
- 20 • Given the dimensions of the container, suitable for inserting inert constituents of the agglomerate into it, the measurement obtained is not point information, but rather an average over a length of 600 mm. The device thus cannot be used in the case of sensitive stress gradients which affect the dimensions of the device.
- 25

Brief description of the invention

The technical problem addressed by the present invention is to provide a

method and an investigation device for measuring stresses in a structure of an agglomerate which are structurally and functionally designed to overcome the drawbacks mentioned in relation to the cited prior art.

5 Within the context of said problem, a primary object of the invention is to provide a method and an investigation device suitable for monitoring the safety conditions of an agglomerate structure and detecting potentially dangerous variations therein for long periods.

This problem is solved and this object is achieved by the present invention by way of a method and device implemented in accordance with the claims that follow.

10

Brief description of the drawings

The features and advantages of the invention will be more readily apparent from the detailed description of a preferred embodiment thereof, illustrated by way of non-restrictive example, and from the associated drawings, in which :

- 15 • Fig. 1 is a perspective view of an investigation device which can be connected to a structure of an agglomerate.
- Fig. 2 is a perspective view of an investigation device positioned within a cylindrical agglomerate element representing a neighbourhood of the investigation device subject to a uniformly distributed load P.
- 20 • Fig. 3 shows the stresses generated by the external load P which are present over a portion of the cylindrical element shown in Fig. 2, obtained using any half-plane having the straight line YY as a generatrix.

Preferred embodiment of the invention

25 In the drawings, 1 denotes an investigation device as a whole, which is implemented in accordance with the present invention and is suitable for measuring a stress within an agglomerate or cementitious mix structure.

In this context, the term agglomerate refers to a material in which a binder

(for example cement, bitumen, lime, polymer resin, etc.) and a bonded substance, generally referred to as an inert substance (for example sand, gravel, clay, siliceous powders, glass fibres, carbon fibres, aramid fibres, etc.), are present. An agglomerate of this type takes on a fluid form in a first step of use (for example at the point of casting or forming), and subsequently, in a second step, solidifies to take on the form and features of a solid (clear examples of this being concrete, asphalt, various composite materials, etc.)

In particular, within this broad category, cementitious mixes are particularly relevant, which, specifically, consist of a construction material, typically known as a hydraulic binder, which develops adhesive properties when mixed with water: these include, by way of example, cementitious mortars, cementitious, reinforced cementitious, etc.

Preferably, in this context, the term cementitious mix refers to a material in which said binder is cement and said bonded substance, generally referred to as an inert substance, is sand, gravel, clay, etc.

Advantageously, a cementitious mix of this type takes on a fluid form in a first step of use (for example at the point of casting or forming), and subsequently, in a second step, solidifies to take on the form and features of a solid (clear examples of this being concrete, asphalt, various composite materials, etc.)

Furthermore, the term agglomerate or cementitious mix structure refers in this context to constructions which use, in the interior thereof, materials having the aforementioned features, such as bridges, buildings, roads, etc., comprising pillars, columns, beams, walls and similar structural elements.

In particular, the investigation device 1 can be connected to a portion associated with the structure of the agglomerate or of the cementitious mix, which is intended to be placed under investigation and monitored (for example part of a pillar, beam, wall, etc.).

Advantageously, the features of the investigation device 1 disclosed in the

following make it suitable for simple and immediate housing within and in direct contact with the portion 2 of the agglomerate or cementitious mix under investigation.

In a preferred embodiment, the investigation device 1 is housed and/or installed during assembly of an iron armature (or of similar technical solutions) of the structure itself, or in any case at any time before the start of the steps of casting or forming the agglomerate or cementitious mix.

Preferably, for a clearer technical treatment of the invention in question, the portion 2 of an agglomerate structure or of the cementitious mix is considered subject to a single stress S_{YY} , acting along the reference axis Y and directly related to an external action acting on said agglomerate structure or of the cementitious mix, for example the uniformly distributed load P (see Fig. 2).

The information stated below is considered applicable both to the agglomerate and to the cementitious mix.

In this context, external action refers both to explicit actions (or direct actions) and to implicit actions (or indirect actions). An action is defined as any cause or set of causes capable of bringing about states of strain and/or deformation in a structure. Actions may be divided, depending on the explanation for them, into:

- direct, due to concentrated forces, fixed or movable distributed loads;
- indirect, due to imparted displacements, variations in temperature and humidity, retraction, pre-compression, bonding failures, viscosity effects.

It is thus advantageously possible to identify a cylindrical neighbourhood of the investigation device 1 shown in Fig. 2, having conditions of axial symmetry around the Y axis in this example.

If the stress S_{YY} is not uniform in this neighbourhood of the device 1, the stress gradients in the space end up being sufficiently small and thus negligible when using an engineering approximation.

In fact, for an expert in the field, it will be simple to select the points of the portion 2 of a structure of agglomerate to be monitored at which the variation in the stress S_{YY} in the neighbourhood of the device is sufficiently small to be considered
5 admissible for engineering purposes.

In this context, the term applied stress means all possible values of the applied stress, including zero, which are dependent on the external actions (for example the load P).

The investigation device 1 can thus be connected to an agglomerate or
10 cementitious mix structure including a binder and a bonded substance, and comprises a resilient deformable body 10 in which at least one deformation meter R_i is arranged, said deformation meter being able to detect at least three deformation measurements E_1 , E_2 , E_3 that are oriented relative to one another such that a stress S_{YY} inside said deformable body 10 is proportional to a
15 combination of said three deformations measurements E_1 , E_2 , E_3 .

Preferably, the at least three deformation measurements E_1 , E_2 , E_3 oriented relative to one another are contained in the deformable body 10.

In one embodiment, the at least three deformation measurements E_1 , E_2 , E_3 oriented relative to one another are deformations of the deformable body 10.

20 Preferably, the stress S_{YY} inside said deformable body 10 is equal to a single combination of said three deformation measurements E_1 , E_2 , E_3 .

Preferably, the stress S_{YY} inside said deformable body 10 is equal to a single linear combination of said three deformation measurements E_1 , E_2 , E_3 .

As discussed previously, the value of the stress S_{YY} inside the deformable
25 body 10 is equal to a single linear combination of said three deformation measurements E_1 , E_2 , E_3 and can be obtained in a simple manner from known mechanical formulae. In fact, the device cancels out all the viscoelastic contributions of first and second order, which are generally produced within a

concrete structure.

For the purposes of making the proposed technical solution clearer, it would seem expedient to emphasise that the deformable body 10, as well as cancelling the viscoelastic contributions, also has a "filter or screen" action for the contact
5 irregularities between the agglomerate or cementitious mix and the deformable body 10 itself of the investigation device 1.

In this way, the three measured deformations E_1 , E_2 , E_3 are the deformations of the deformable body 10 due to the structure, and not the deformations of the structure itself; this makes it possible to obtain measurements
10 of deformations inside the investigation device 1 and, if associated with the undisturbed zone A2, not affected by first-order or second-order viscoelastic contributions.

In this context, the term combination refers to a mathematical combination of said values. In a particular case, if the relevant values are associated with linear
15 vector spaces, said combination can be represented by way of a linear combination of the three deformation measurements E_1 , E_2 , E_3 associated with linear vector spaces.

In a preferred embodiment, the deformable body 10 is made of materials having a modulus of elasticity that is strictly greater than that of said agglomerate
20 structure so as to reduce and make uniform the contact irregularities between the agglomerate and said deformable body 10.

Advantageously, the deformable body 10 is made of materials having chemical and physical properties which are stable over time, capable of lasting inside the agglomerate without deteriorating or changing over time. For example, a
25 metal material (stainless steel or the like) or a ceramic material (alumina or the like) may be used.

This technical solution has the further technological advantage of being able to read the stress S_{YY} more precisely and reliably using materials of which the

chemical, physical and mechanical properties are correctly known and predictable over time: in fact, the known technique found in the field does not make it possible to obtain such a high level of predictive precision since it depends on materials of which the features are either completely known or not completely known, or have
5 the potential to change over time.

Optionally, the deformable body 10 may internally comprise elements which exhibit viscous behaviour under load but which have dimensions so as to impart a negligible viscous contribution with respect to the substantially resilient behaviour of the deformable body 10 as a whole.

10 Preferably, said viscous elements 11 (not shown in the figure) can be made of polymer materials: for example, a layer of polymer material used as a spacer (Kapton) or as a glue (polymer resin).

For an expert in the field, it will be routine to modify and adapt said embodiments using similar materials so as to achieve the objects of the invention.

15 Referring to Fig. 1, said investigation device 1 comprises a deformable body 10 that has resilient behaviour and is free of viscous characteristics, at least in the context of the admissible strain in the agglomerate structure.

Preferably, the deformable body 10 has purely resilient behaviour in the context of the admissible strains in the agglomerate structure.

20 In particular, the deformable body 10 preferably comprises two surfaces A and B, the smallest dimension of which is greater than or equal to the maximum nominal diameter of said bonded substance or inert substance contained in said agglomerate, in other words having a minimum transverse dimension (for example the diameter for a cylindrical shape) greater than or equal to the maximum nominal
25 diameter of the bonded substances or inert substances of the agglomerate.

Furthermore, the deformable body 10 has a substantially flattened shape with respect to two prevalent dimensions, so as to obtain an undisturbed zone A2 of said stress S_{YY} inside said deformable body 10, in which zone said at least one

deformation meter R_i is arranged.

In fact, the deformable body 10, having said substantially flattened shape with respect to two prevalent dimensions, negligibly interferes with the stress field $S_{YY}(XYZ)$ of the stress S_{YY} orthogonal to the two prevalent dimensions within the body itself, thus generating an undisturbed zone A2 of the stress S_{YY} which is not affected by first-order or second-order viscous phenomena.

In physics, a field is a region of space at every point of which a physical value (depending on the nature thereof, the field will be defined as scalar, vector, tensor etc.) is defined by a suitable law. Said physical value may be a temperature (an example of a scalar field), a force (an example of a vector field : a gravitational, electrical or magnetic field), or a stress as in the present field of application.

In this context, the term negligibly disturbing means that the substantially flattened shape of the deformable body 10 includes possible disturbances in the stress field $S_{YY}(XYZ)$ of the stress S_{YY} which are less than a predefined value. In particular, said predefined value is 10 % of the local value of the stress field $S_{YY}(XYZ)$.

In a preferred embodiment, the at least three deformation measurements E_1 , E_2 , E_3 oriented relative to one another are included in the undisturbed zone A2 and the stress S_{YY} is proportional to a combination of said three deformation measurements E_1 , E_2 , E_3 .

Further, in the present context, a substantially flattened shape preferably refers to three-dimensional structures having a primary extension along two prevalent dimensions with respect to a third : examples may be a prismatic or cylindrical or laminar model (see Fig. 1) having two bases A and B, defined by said two prevalent dimensions and spaced apart along the third dimension by a height h_i that is less than said two prevalent dimensions.

Further, the cylindrical structures described in the present context comprise both regular cylindrical and elliptical cylindrical structures, as well as prismatic

structures having a base having any desired shape.

Advantageously, said three-dimensional structures in accordance with a prismatic, cylindrical or laminar model have edges linked via suitable connecting beams suitable for further reducing the possibility of generating second-order effects that disturb the viscosity.

In particular, said substantially flattened shape has a development in accordance with a prismatic or cylindrical or laminar model, in which a dimension ratio R between the smaller of the dimensions of the bases A and B and a height h_i of the prismatic or cylindrical or laminar model is within a predetermined range of values.

In a preferred embodiment, said dimension ratio R is greater than or equal to 10. For example, Fig. 1 shows a deformable element 10 having an extension in accordance with a cylindrical model, in which the two bases A and B are equal, of an external diameter D_l of 30 mm and a total height h_i of 3 mm. In this case, the dimension ratio R ends up being 10.

These embodiments are intended to be exemplary and non-limiting, and can be altered or replaced with similar materials by an expert in the field so as to achieve the objects of the invention.

These conditions relating to the type of material of which the deformable body 10 is made and the shape thereof make it possible for the investigation device 1 to have the following properties:

- negligibly interfering with the stress fields (specifically those having components orthogonal to said flattened surfaces) generated in the portion 2 by the external applied actions and by the presence of the sensor itself,
- negligibly affecting the viscoelastic phenomena in the agglomerate,
- negligibly affecting the stress variations in the space within the agglomerate due to the irregularities in the matrix itself of the agglomerate, for example the presence of inert substances of which the modulus of elasticity is

different from the average modulus of elasticity of the agglomerate and/or of gas bubbles within said agglomerate.

These properties have been verified by way of simulation on finished elements.

Thus, by virtue of the features of the invention, it is possible to calculate a stress S_{YY} which is effectively related to an external action, for example the applied load P , or to variations in the conditions of the structure of the agglomerate or cementitious mix independently of the intrinsically viscoelastic nature of the agglomerate itself.

It is important to note that devices implemented in accordance with the teachings of the prior art tend to disturb the stress field because they have dimensional and structural features which divert the internal force lines relative to a load applied to the agglomerate under examination or, when measuring deformations, affect viscous phenomena in the agglomerate and do not make direct evaluation of the stress S_{YY} possible, regardless of knowledge of the constitutive equation of the agglomerate itself. Alternatively, they simply measure deformations affected by the viscoelastic behaviour of the material.

The deformable body 10 is partially disturbed by two unavoidable phenomena:

- The deviation in the force lines of the stress S_{YY} due to the difference in rigidity between the agglomerate and the deformable body 10.
- The occurrence of viscous phenomena generated in the agglomerate in a neighbourhood of the device as a result of the stress gradients due to the deviation in the force lines of the stress S_{YY} described in the point above and due to the deformable body 10 being free of viscous behaviour.

This disturbance is shown in Fig. 3, where, assuming axial symmetry, it is possible to see the radial stresses S_r , vertical stresses S_v and circumferential stresses S_c present in the portion 2 of Fig. 2, sectioned in any half-plane originating from the straight line YY .

It can be seen that the three stresses generated by the uniformly distributed

external load P are constant in space except for a zone close to the external periphery of the deformable body 10 where the deviations in the force lines and the above-described parasitic and undesirable viscous phenomena are concentrated.

As a function of the ratio R between the minimum dimension of the bases A and B and the height h_i of the deformable body 10, the disturbed zone ends up being spatially confined to a more or less extensive portion of the portion 2.

However, these disturbances are only relevant to the external cylindrical rim, labelled A_1 , of the deformable body 10 for an extension equal to a fraction of the radius (in the case of the cylindrical device presented in Fig. 1 and 2, this extension is approximately $1/3$ of the radius of the deformable body 10).

An internal zone of the deformable body 10, referred to as the undisturbed zone A_2 , can thus be identified, which remains undisturbed by said first-order and second-order viscous phenomena and thus subject to a stress $S_v = S_{YY}$ that is orthogonal to the faces A and B and proportional to the external actions alone (for example the load P).

In particular, the stress $S_v = S_{YY}$ that is orthogonal to the faces A and B is proportional to a combination of a plurality of deformations included in said undisturbed zone A_2 .

Referring to Fig. 1, the undisturbed zone A_2 is preferably equal to a cylinder inside the deformable body 10, having a base having a diameter D_2 of approximately 20 mm (see Fig. 1).

Preferably, said at least one deformation meter R_i is positioned at a distance h_2 from at least one of said two surfaces A, B (see Fig. 2).

Furthermore, the distance h_2 is greater than or equal to the dimension of the largest gas bubble that may be present in the agglomerate. In fact, this positioning of said deformation meter R_i makes it possible for the material of which the deformable body 10 is made to reduce the local disturbance brought about in the measurement by the gas bubbles in the agglomerate.

In particular, the deformation meter R_i is arranged equidistantly between the two faces A and B. Alternatively, the deformation meter R_i is arranged asymmetrically inside said deformable body, but keeping the minimum distance between a part thereof and the face A or B larger than said dimension of the largest
5 gas bubble.

Preferably, the deformation meter R_i is a device comprising at least three electrical or optical extensometers.

In a preferred embodiment, the deformation meter R_i comprises at least three resistors (strain-gauge, piezoresistive, etc.) of which the deformation can
10 easily be detected by monitoring the variations in electrical resistance. Alternatively or in addition, the deformation meter R_i may comprise a capacitive capacitor, the deformation of which can easily be detected by monitoring variations in capacitance.

These embodiments are intended to be exemplary and non-limiting, and can
15 be altered or replaced with similar deformation sensors by an expert in the field in a simple and routine manner so as to achieve the objects of the invention.

In a preferred embodiment the deformation meter R_i comprises three deformation sensors R_1 , R_2 , R_3 , individually oriented according to a predetermined set of three axes and suitable for measuring three deformations E_1 , E_2 , E_3 , from
20 which the aforementioned stress S_{YY} is calculated by combining said three deformations, which stress acts in the undisturbed zone A2 and is proportional to the combination of the three deformation measurements E_1 , E_2 , E_3 and thus to only the applied external actions (for example the load P), and not influenced by the viscous phenomena brought about inside the deformable body 10.

In particular, the at least one deformation meter (R_i) comprises three
25 deformation sensors (R_v , R_r , R_c), individually oriented according to a predetermined set of three orthogonals and suitable for measuring three deformations (E_v , E_r , E_c) that are oriented orthogonally to one another and

included in the undisturbed zone (A2), and the stress (SYY) is proportional to a combination of said three deformations (Ev, Er, Ec) oriented orthogonally to one another.

For example, assuming an axially symmetrical shape both of the interior of the portion 2 of the agglomerate and of the investigation device 1, and with a load P applied along the reference axis Y, the set of three orthogonals defined in accordance with the vertical, radial and circumferential universal cylindrical coordinates v, r, c also defines the orientations of the three vertical, radial and circumferential deformation sensors Rv, Rr, Rc of the three corresponding vertical, radial and circumferential deformations Ev, Er, Ec and of the three vertical, radial and circumferential stresses Sv, Sr, Sc, respectively (see Fig. 2).

Further, in the axially symmetrical approximation used, the three vertical, radial and circumferential deformations Ev, Er, Ec are non-zero whilst the angled deformations Erv, Ere, Eve are zero or negligible. This means that the calculation of the axial stress SYY, coincident with the vertical stress Sv, is simplified by applying the linear resilient constitutive equation of the material of which the deformable body 10 is made, assuming an axially symmetrical state, in accordance with equation (1) :

$$\begin{Bmatrix} SXX \\ SYY \\ SZZ \\ SXY \end{Bmatrix} = C \begin{bmatrix} 1-\nu & \nu & \nu & 0 \\ \nu & 1-\nu & \nu & 0 \\ \nu & \nu & 1-\nu & 0 \\ 0 & 0 & 0 & G/C \end{bmatrix} \cdot \begin{Bmatrix} EXX \\ EYY \\ EZZ \\ EXY \end{Bmatrix} \quad (1)$$

If it is desired to abandon the assumption of axial symmetry, the complete constitutive equation of the material has to be applied, using the six deformation and stress components, using a more complicated form of the equation, but

obtaining substantially identical results (see equation 2).

$$\begin{matrix} 5 \\ \left. \begin{matrix} SXX \\ SYY \\ SZZ \\ SXY \\ SXZ \\ SYZ \end{matrix} \right\} = C \end{matrix} \begin{bmatrix} 1-\nu & \nu & \nu & 0 & 0 & 0 \\ \nu & 1-\nu & \nu & 0 & 0 & 0 \\ \nu & \nu & 1-\nu & 0 & 0 & 0 \\ 0 & 0 & 0 & G/C & 0 & 0 \\ 0 & 0 & 0 & 0 & G/C & 0 \\ 0 & 0 & 0 & 0 & 0 & G/C \end{bmatrix} \begin{matrix} \left. \begin{matrix} EXX \\ EYY \\ EZZ \\ EXY \\ EXZ \\ EYZ \end{matrix} \right\} \end{matrix} \quad (2)$$

10 wherein :

$$C = \frac{E}{(1+\nu)(1-2\nu)} \quad G = \frac{E}{2(1+\nu)}$$

where ν is the Poisson's ratio and E is the Young's modulus.

15

In both cases, equation 3 is obtained :

$$S_y = SYY = C[\nu EXX + (1-\nu)EYY + \nu EZZ] \quad (3)$$

20 By virtue of the investigation device 1 and the aforementioned features thereof, even if the model of the device is not axially symmetrical, it is possible to define an undisturbed zone A2 inside the deformable body 10 in which the stress S_v is proportional to only the applied external actions and is not influenced by the viscous phenomena generated inside the deformable body 10 or by the deviations
 25 in the force lines.

In this case, the calculations necessary to obtain the value of the stress require the use of the complete constitutive equation of the material of which the deformable body 10 is formed, as described above.

In a preferred application, if the applied external load P is constant, the aforementioned combination of equation 3 is constant, meaning that the value of S_{YY} is also constant.

5 In a preferred embodiment, the deformable body 10 may comprise protrusions (not shown in the figure) so as to increase the bond between it and the structure of the agglomerate or cementitious mix.

In particular, the protrusions may be cylindrical or conical elements, having a complete or truncated spatial extension, positioned on the external surfaces of the
10 deformable body 10 with a size suitable for rigidly engaging with the structure or the portion 2 of the agglomerate and reducing the possibility of displacement of the investigation device 1 once the casting of the agglomerate or cementitious mix is solidified above it.

In a preferred embodiment, a data-processing unit 20 is associated, via
15 communication means, with the deformation meter R_i to calculate a combination of said deformations and to obtain the measurement of said stress S_v .

Preferably, said data-processing unit 20 is housed externally to the portion 2 of the agglomerate or internally to the deformable body 10, in order not to alter the mechanical elasticity and rigidity properties thereof.

20 In particular, the data-processing unit 20 is a microprocessor, a computer, a tablet, a smartphone, a server or similar devices which may be selected for achieving the object of the invention.

Preferably, the means of communication between the at least one deformation meter R_i and the data-processing unit 20 are wired connections,
25 wireless connections (Wi-Fi, Bluetooth, etc.) or similar types which are easily identifiable by an expert in the field.

In one embodiment, the investigation device 1 may advantageously be installed within the agglomerate or cementitious mix structures before casting, in a

rapid, effective and economical manner.

Preferably, this installation is aimed at guaranteeing that the investigation device 1 does not move (in rotation and/or translation) during the steps of casting the agglomerate or cementitious mix within a formwork so as to guarantee stably
5 connected positioning and orientation of the investigation device 1 during the steps following the casting process, too.

In this way, in fact, it will be possible to provide the position of the sensor even during the cement maturation/ageing steps (in the case of a cementitious mix) during any transport and usage steps of the cementitious structure.

10 Preferably, the assembly is carried out using a support of the investigation device 1 suitable for being connected to parts of the armature or of the formwork and having the advantageous features set out in the following.

Preferably, the support is economical (since it will be left inside the casting), is solid and does not form a weak fragile point for the structure in which it is
15 housed, is durable over time (it should not cause the structure in which it is housed to deteriorate by ageing), is rigid and does not disturb the normal static behaviour of the structure in which it is housed, does not interfere with and/or disturb the measurements carried out by the investigation device 1, is compact so as to be easily sold with the sensor and easily transportable, is robust so as to be able to
20 guarantee that the sensor does not move during casting, does not obstruct the flow of the fresh concrete during casting, giving rise to gravel nests or other flaws in the casting, and is suitable for housing any other electronic devices which make it possible for the sensor to operate and/or communicate with the outside (for example batteries, electronic systems, antennae).

25 In one embodiment, said support is a network formed using electro-welded steel wires or zinc wires or painted wires or wires coated in plastics material or stainless steel wires or the like.

Advantageously, said network comprises wires, the diameter of which

generally varies from 1 mm to 2 mm.

In one embodiment, the mesh of the network is square or rectangular, and can be customised, with a gauge of between 2 cm and 10 cm.

Preferably, the investigation device 1 is positioned within the support.

5 Also preferably, the investigation device 1 is positioned within a mesh of said network so as to maintain a predefined position and orientation during the cement forming steps and during the phases subsequent thereto.

In one embodiment, the investigation device 1 can be fixed to the network using any industrially applicable anchoring system suitable for connecting said
10 device 1 to the network.

Preferably, the support system contains at least one electrical wire suitable for supplying said device with power and/or transferring the data acquired by the investigation device 1 to provided processing units that can be operatively
connected.

15 In one embodiment, the investigation device is connected to the network via a housing device so as to connect the investigation device 1 by engaging by interference, following resilient deformation, on predetermined seats which can be spaced apart in a reversible manner following application of a force which brings about resilient deformation thereof.

20 Preferably, said housing device is made of polymer material.

In one embodiment, once the investigation device and optionally a power supply/signal wire are fixed to the metal network, said network can easily be fixed to an armature cage of the structures or to the formwork thereof.

Advantageously, the network is formed having armature bars having a
25 diameter of 4, 6, 8, 10 or 12 mm (particularly in the absence of an armature arranged in the formwork).

In one embodiment, a temperature and/or humidity sensor is contained in the investigation device 1.

Preferably, the temperature and/or humidity sensor is housed outside the investigation device 1.

Advantageously, said temperature and/or humidity sensors are suitable for measuring the temperature and humidity of the concrete so as to obtain useful information about the maturation/ageing of the concrete at specific time intervals (typically days) subsequent to carrying out the casting.

Preferably, the temperature sensor is a thermistor or thermocouple or similar digital device.

Preferably, the humidity sensor is a hygrometer suitable for calculating the variation in humidity by way of variations in electrical capacitance or resistance or the like.

In one embodiment, the temperature and/or humidity sensor is inserted into an airtight box.

Advantageously, said airtight box is made of polymer material.

Preferably, the power-supply systems, an operating unit (microcontroller) and wired or wireless data-transfer means operatively connected to one another and/or to said temperature and/or humidity sensors, are housed inside the airtight box.

The applicant has in fact confirmed that it is particularly useful to know the maturation/ageing of the concrete so as to be able to know, monitor and optionally modify the setting speed of said material. In fact, said investigation parameters provide important information which can be associated with the development over time and/or in space of the internal mechanical resistances of the concrete.

By virtue of this technical solution, it is thus possible to control the maturation/ageing process continuously and effectively, optionally by modifying the humidity and temperature at which the setting and hardening of the material take place on the days subsequent to casting: in this way, it becomes possible to obtain

higher-quality cementitious (less porous, less micro-fissured, more resistant and uniform in behaviour) using the same initial reagents (sand, gravel, cement, additives).

5 The modes of operation of the investigation device 1, defining the method of the present invention, comprise the steps described in the following.

An assigned operator prepares, at one or more points of a structure of an agglomerate including a binder and a bonded substance, at least one investigation device 1 capable of measuring at least three deformations oriented relative to one another on three axes.

10 Subsequently, the corresponding at least three deformation measurements E1, E2, E3 are obtained at each of said points.

Advantageously, the corresponding at least three deformation measurements E1, E2, E3 at each of said points are at least three deformation measurements E1, E2, E3 of the investigation device 1.

15 Preferably, the corresponding at least three deformation measurements E1, E2, E3 at each of said points are at least three deformation measurements E1, E2, E3 of the deformable body 10.

As set out above, the at least three deformation measurements E1, E2, E3 are deformations of the investigation device 1 caused by the agglomerate or cementitious mix structure for which said investigation device operates as a filter/screen for any viscoelastic contributions present.

At this point, a stress S_{YY} proportional to a combination of said at least three deformation measurements E1, E2, E3 is calculated at the corresponding point.

25 In another preferred embodiment of said method, the following steps are carried out.

An assigned operator identifies in the structure being monitored the points at which the investigation devices 1 are to be placed.

Subsequently, at least one investigation device 1 is provided, comprising :

- a) a deformable body 10 having resilient behaviour, at least in the context of the admissible strain in said agglomerate structure,
- b) said deformable body 10 having two surfaces A and B, the smaller dimension of which is greater than or equal to the maximum nominal diameter of the bonded substance or inert substance used in the agglomerate, and a shape that is flattened with respect to two predominant dimensions.

At this point the at least one investigation device 1 is placed in the position and orientation identified.

Subsequently, a casting of the agglomerate is made that completely encapsulates the at least one investigation device 1.

Thus, said at least three deformation measurements E_1 , E_2 , E_3 oriented relative to one another within an undisturbed zone A2 of said deformable body 10, are detected inside said deformable body 10 of said investigation device 1.

At this point, the stress S_{YY} that is proportional to a combination of the at least three deformation measurements E_1 , E_2 , E_3 and is present in the undisturbed zone A2 of the deformable body 10 is calculated.

Preferably, within the undisturbed zone A2 of the deformable body 10, at a distance greater than or equal to h_2 from the faces A and B, the at least three deformation measurements E_1 , E_2 , E_3 oriented relative to one another are measured. In a preferred embodiment of said method, the at least three deformation measurements E_1 , E_2 , E_3 are oriented orthogonally to one another.

In particular, within the undisturbed zone A2 of the deformable body 10, at least one deformation meter R_i is arranged, said deformation meter being able to measure the at least three deformation measurements E_1 , E_2 , E_3 at a distance from the faces A and B that is greater than or equal to h_2 .

In a preferred embodiment, the three deformation measurements E_1 , E_2 , E_3 are measured using three deformation sensors R_1 , R_2 , R_3 operatively connected to a data-processing unit 20.

At this point, using a combination of said at least three deformation measurements E1, E2, E3, the stress S_{YY} present in the undisturbed zone A2 in said deformable body 10 is calculated.

Preferably, the calculations relating to the constant stress S_{YY} are implemented
5 by the data-processing unit 20.

In a preferred embodiment, said method continues with the steps set out in the following.

A user assigned to the control monitors the progression over time of the calculated stress S_{YY} so as to detect any alterations therein due to external actions
10 applied to said agglomerate structure and/or due to damage to the structure itself.

In a particular case, the external actions applied are the load P applied to the agglomerate structure.

Furthermore, the user assigned to the control may be a physical person, the data-processing unit 20 itself (PC, tablet, server, etc.) or an archiving unit suitable
15 for recording the progression over time of the stress S_{YY} .

Subsequently, the user assigned to the control activates an alarm message when the calculated stress S_{YY} varies beyond a predefined tolerance by a previously set threshold value.

For example, the predefined tolerance is a value equal to 10 % of the value of
20 the threshold stress considered critical for said agglomerate according to specific calculations to be made for each individual structure.

In this way, it is potentially possible to identify, in real time, variations in the external actions and/or in the structure with respect to the initial conditions which may be particularly dangerous for the integrity of said structure.

By virtue of the features of the invention, the method and the investigation
25 device 1 for measuring stresses in an agglomerate structure can detect variations in the external actions applied or variations in the structure (linked to deterioration, damage, ageing, tampering, etc.) and optionally activate alarm messages when

critical thresholds set at the time of installing the system or at any moment subsequent thereto are exceeded.

Naturally, an expert in the field can bring further modifications and variants to the above-described invention with the aim of meeting specific contingent
5 application requirements, the modifications and variants still falling within the scope of protection as defined in the following claims.

Claims

1. Method for measuring stresses in an agglomerate structure including a binder and a bonded substance, comprising the steps of:

- providing, at one or more points on said structure, at least one investigation device (1) able to measure at least three deformations oriented relative to one another on three axes,
- detecting the corresponding at least three deformation measurements (E1, E2, E3) at each of said points,
- calculating a stress (S_{YY}) that is proportional to a combination of said at least three deformation measurements (E1, E2, E3) at the corresponding point.

2. Method for measuring stresses according to claim 1, comprising the steps of:

- identifying, in the structure to be produced from said agglomerate, a position and orientation of at least one investigation device (1) to be installed,
- providing said at least one investigation device (1), which comprises:
 - o a deformable body (10) having resilient behaviour, at least in the context of the admissible strains in said agglomerate structure,
 - o said deformable body (10) having two surfaces (A, B), the smaller dimension of which is greater than or equal to the maximum nominal diameter of said bonded substance used in said agglomerate and a shape that is flattened with respect to two predominant dimensions,
- placing said at least one investigation device (1) in the position and orientation identified,
- making a casting of said agglomerate that completely encapsulates said at least one investigation device (1),
- detecting, inside said deformable body (10) of said investigation device (1), said at least three deformation measurements (E1, E2, E3) oriented relative

to one another, within an undisturbed zone (A2) of said deformable body (10),

- calculating said stress (SYY) that is proportional to a combination of said at least three deformation measurements (E1, E2, E3) and present in said undisturbed zone (A2) of the deformable body (10).

3. Method according to claim 2, comprising the steps of monitoring the trend over time of the calculated stress (SYY) for the purposes of detecting any changes thereto due to variations in external actions applied to said agglomerate structure and/or damage to said structure.

4. Method according to claim 3, comprising the step of activating an alarm message when said calculated stress (SYY) varies beyond a predefined tolerance by a pre-set threshold value.

5. Method according to one or more of the preceding claims, wherein said agglomerate is a cementitious mix.

6. Investigation device (1) that can be connected to an agglomerate structure including a binder and a bonded substance, comprising :

- a deformable body (10) inside which at least one deformation meter (Ri) is arranged, said deformation meter being able to detect at least three deformation measurements (E1, E2, E3) that are oriented relative to one another such that a stress (SYY) inside said deformable body (10) is proportional to a combination of said three deformation measurements (E1, E2, E3).

7. Investigation device (1) according to claim 6, wherein :

- said deformable body (10) has resilient behaviour, at least in the context of the admissible strain in said structure of said agglomerate,
- said deformable body (10) comprises two surfaces (A, B), the smaller dimension of which is greater than or equal to the maximum nominal diameter of said bonded substance present within said agglomerate, and has

a shape that is substantially flattened with respect to two predominant dimensions so as to produce inside said deformable body (10) a zone (A2) undisturbed by said stress (SYY), in which said at least one deformation meter (Ri) is arranged.

5 8. Investigation device (1) according to either claim 6 or claim 7, wherein said deformable body (10) has a modulus of elasticity that is strictly greater than that of said agglomerate structure.

9. Investigation device (1) according to one or more of claims 6 to 8, wherein :

- said at least three deformation measurements (E1, E2, E3) oriented relative
10 to one another are present within said undisturbed zone (A2) and said stress (SYY) is proportional to a combination of said three deformation measurements (E1, E2, E3).

10. Investigation device (1) according to one or more of claims 7 to 9, wherein said substantially flattened shape of said deformable body (10) has development
15 according to a prismatic or cylindrical or laminar model, and wherein an aspect ratio (R) between the smaller measurement of said two surfaces (A, B) and a height (hi) of said prismatic or cylindrical or laminar model is within a predetermined range of values.

11. Investigation device (1) according to claim 10, wherein said aspect ratio (R)
20 is greater than 10.

12. Investigation device (1) according to one or more of claims 6 to 11, wherein said at least one deformation meter (Ri) comprises three deformation sensors (Rv, Rr, Rc), individually oriented as a predetermined orthogonal triplet, capable of measuring three deformations oriented orthogonally to one another (Ev, Er, Ec),
25 which are within said undisturbed zone (A2), and said stress (SYY) being proportional to a combination of said three deformation measurements oriented orthogonally to one another (Ev, Er, Ec).

13. Investigation device (1) according to claim 10, wherein said at least one deformation meter (Ri) is positioned at a distance (h2) from at least one of said two surfaces (A, B).

5 14. Investigation device (1) according to one or more of claims 6 to 13, wherein said deformable body (10) comprises protuberances and/or recesses so as to increase the constrains between said deformable body (10) and the structure of said agglomerate.

15. Investigation device (1) according to any of claims 6 to 14, wherein said agglomerate is a cementitious mix.

10 16. Investigation device (1) according to any of claims 6 to 15, comprising a temperature and/or humidity sensor.

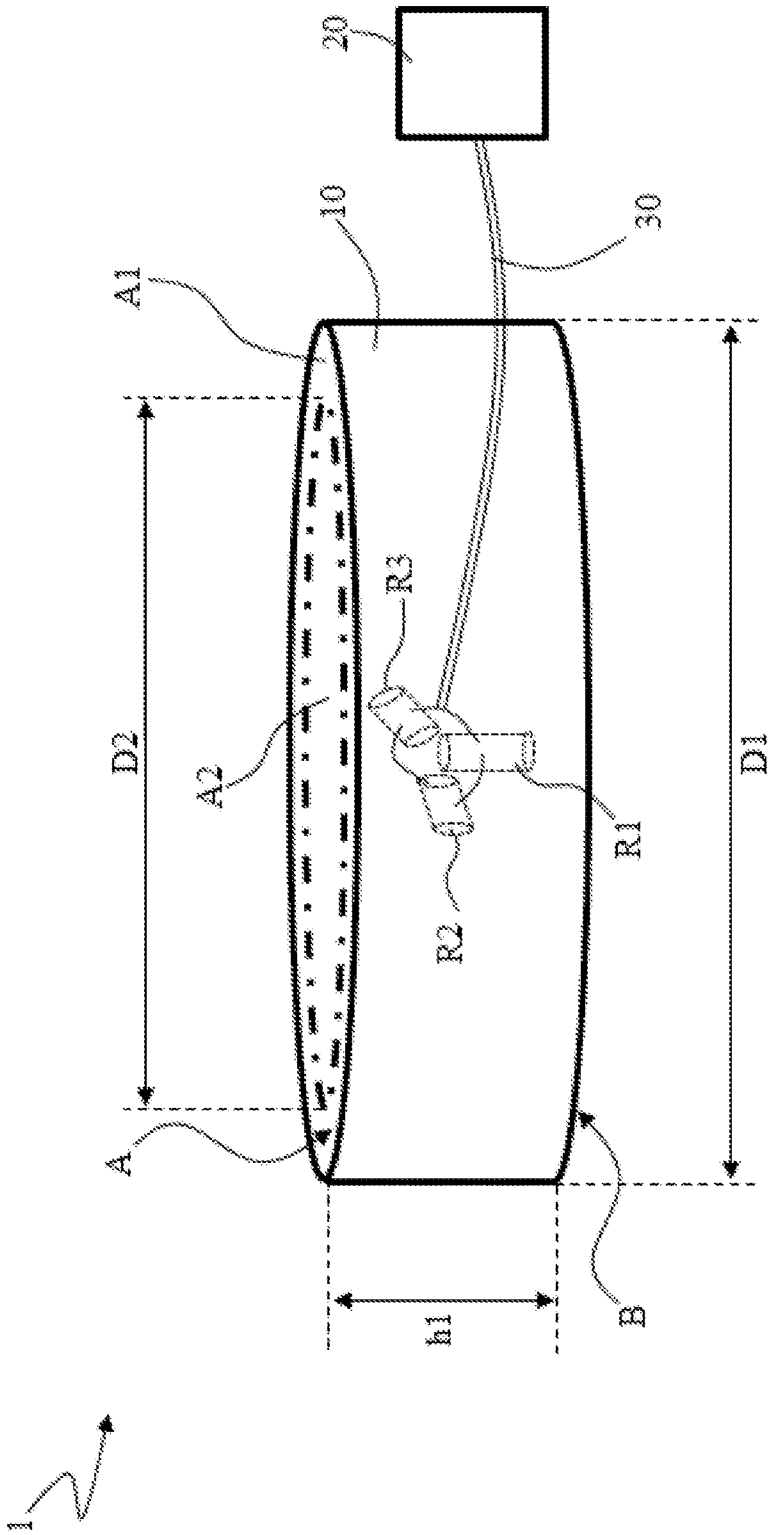


Figure 1

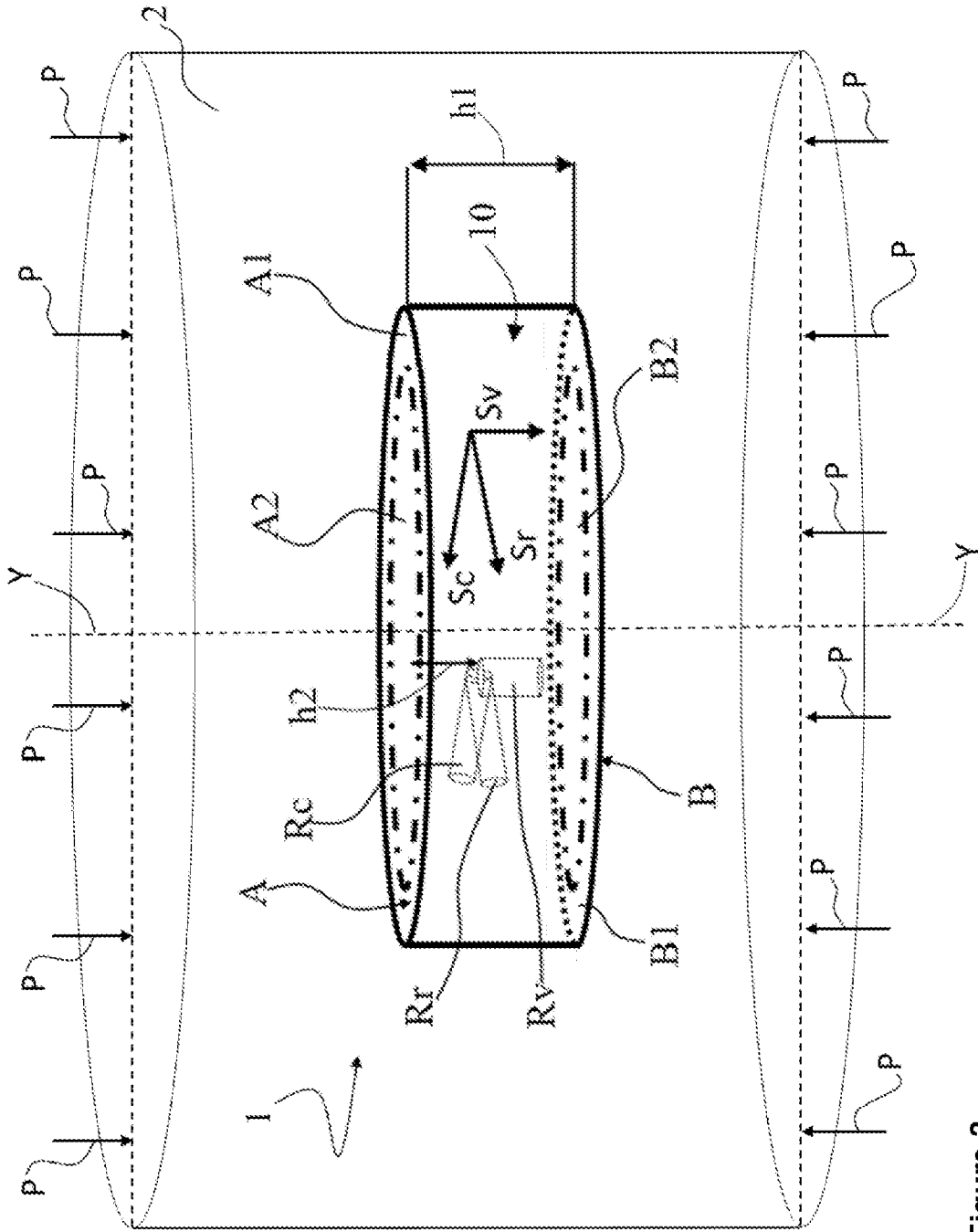


Figure 2

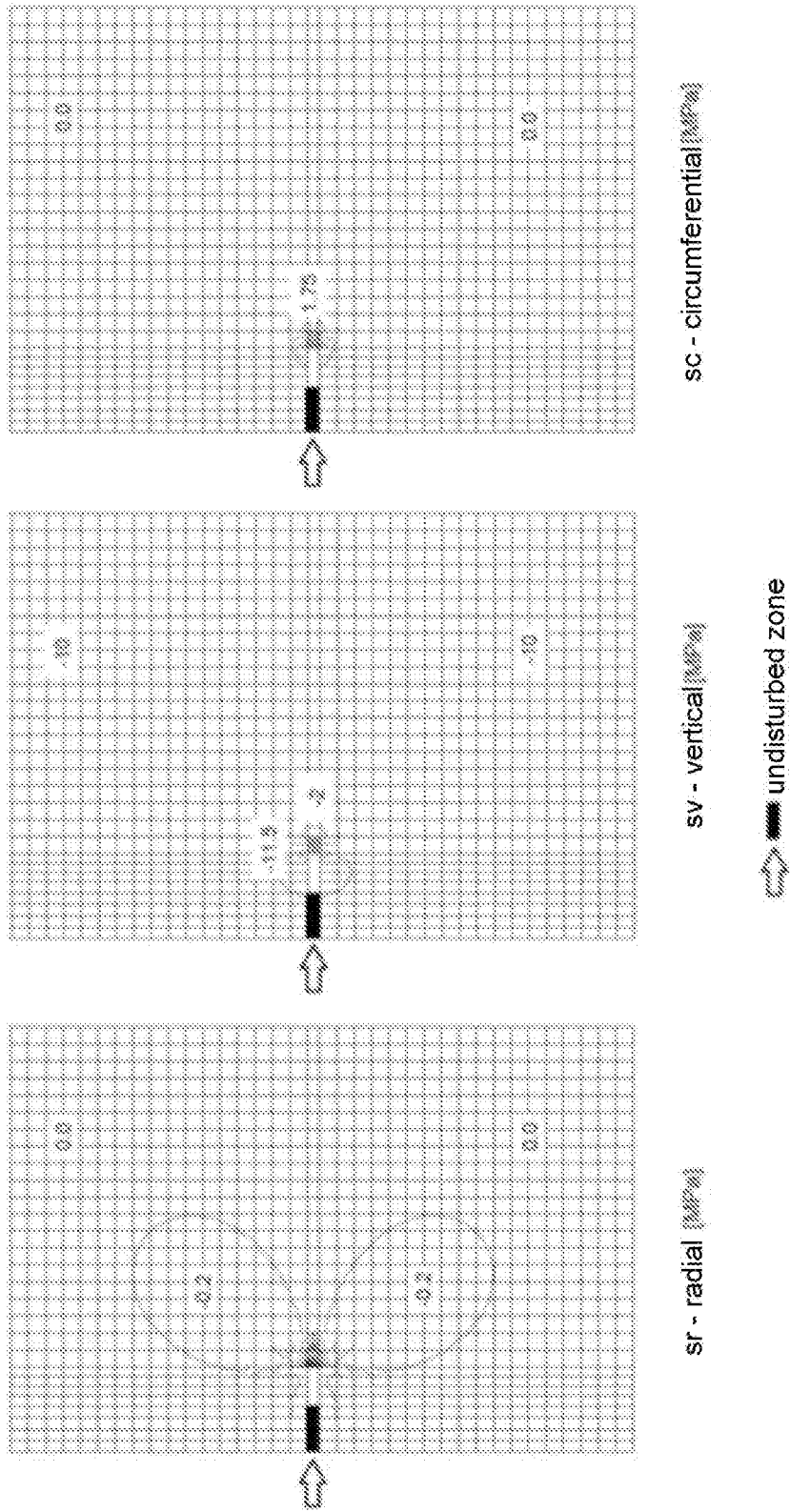


Figure 3

INTERNATIONAL SEARCH REPORT

International application No
PCT/IB2017/052113

A. CLASSIFICATION OF SUBJECT MATTER INV. G01M5/Q0 G01L1/20 ADD.		
According to International Patent Classification (IPC) or to both national classification and IPC		
B. FIELDS SEARCHED		
Minimum documentation searched (classification system followed by classification symbols) G01M G01L		
Documentation searched other than minimum documentation to the extent that such documents are included in the fields searched		
Electronic data base consulted during the international search (name of data base and, where practicable, search terms used) EPO-Internal , WPI Data		
C. DOCUMENTS CONSIDERED TO BE RELEVANT		
Category*	Citation of document, with indication, where appropriate, of the relevant passages	Relevant to claim No.
X	us 3 286 513 A (WASIUTYNSKI ZBIGNI EW A) 22 November 1966 (1966-11-22) abstract col umn 1 - col umn 2 f i g u r e s 1-2 -----	1,2, 5-13, 15
X	us 2002/154029 AI (WATTERS DAVID G [US] ET AL) 24 October 2002 (2002-10-24) abstract page 1 - page 19 f i g u r e s 1-8 -----	1,3,4,6, 14, 16
X	us 2012/210780 AI (CHEON DAE-SONG [KR] ET AL) 23 August 2012 (2012-08-23) abstract page 1 - page 4 f i g u r e s 1-8 -----	1,6
- / - -		
<input checked="" type="checkbox"/> Further documents are listed in the continuation of Box C.	<input checked="" type="checkbox"/> See patent family annex.	
* Special categories of cited documents :		
"A" document defining the general state of the art which is not considered to be of particular relevance "E" earlier application or patent but published on or after the international filing date "L" document which may throw doubts on priority claim(s) or which is cited to establish the publication date of another citation or other special reason (as specified) "O" document referring to an oral disclosure, use, exhibition or other means "P" document published prior to the international filing date but later than the priority date claimed	"T" later document published after the international filing date or priority date and not in conflict with the application but cited to understand the principle or theory underlying the invention "X" document of particular relevance; the claimed invention cannot be considered novel or cannot be considered to involve an inventive step when the document is taken alone "Y" document of particular relevance; the claimed invention cannot be considered to involve an inventive step when the document is combined with one or more other such documents, such combination being obvious to a person skilled in the art "&" document member of the same patent family	
Date of the actual completion of the international search <p style="text-align: center;">28 June 2017</p>	Date of mailing of the international search report <p style="text-align: center;">07/07/2017</p>	
Name and mailing address of the ISA/ European Patent Office, P.B. 5818 Patentlaan 2 NL - 2280 HV Rijswijk Tel. (+31-70) 340-2040, Fax: (+31-70) 340-3016	Authorized officer <p style="text-align: center;">Ridha, Phi l i p p</p>	

INTERNATIONAL SEARCH REPORT

International application No PCT/IB2017/052113

C(Continuation). DOCUMENTS CONSIDERED TO BE RELEVANT		
Category*	Citation of document, with indication, where appropriate, of the relevant passages	Relevant to claim No.
X	DE 10 2013 008777 AI (JÄGER FRANK-MICHAEL [DE]) 27 November 2014 (2014-11-27) abstract page 1 - page 4 figure 1	1,6
X	----- ES 2 353 544 AI (UNIV ALICANTE [ES]) 3 March 2011 (2011-03-03) abstract page 1 - page 4 figures 1-3 -----	1,6

INTERNATIONAL SEARCH REPORT

Information on patent family members

International application No

PCT/IB2017/052113

Patent document cited in search report	Publication date	Patent family member(s)	Publication date
US 3286513 A	22-11-1966	DE 1233170 B US 3286513 A	26-01-1967 22-11-1966

US 2002154029 AI	24-10-2002	AU 2003220575 AI EP 1490656 AI JP 2005523494 A US 2002154029 AI US 2006170535 AI W0 03085360 AI	20-10-2003 29-12-2004 04-08-2005 24-10-2002 03-08-2006 16-10-2003

US 2012210780 AI	23-08--2012	CN 102645155 A KR 20120095016 A US 2012210780 AI	22--08--2012 28--08--2012 23--08--2012

DE 102013008777 AI	27-11--2014	NONE	

ES 2353544 AI	03-03--2011	ES 2353544 AI W0 2011015689 A2	03--03-2011 10--02--2011
