

Money, or the Elephant in the Room

*Original*

Money, or the Elephant in the Room / Frassoldati, Francesca; Armando, Alessandro; Campobenedetto, Daniele; Federighi, Valeria; Barioglio, Caterina. - In: ARDETH. - ISSN 2532-6457. - STAMPA. - Fall 2018:3(2018), pp. 4-14. [10.17454/ARDETH03.01]

*Availability:*

This version is available at: 11583/2733813 since: 2019-05-20T18:59:47Z

*Publisher:*

Rosenberg & Sellier

*Published*

DOI:10.17454/ARDETH03.01

*Terms of use:*

This article is made available under terms and conditions as specified in the corresponding bibliographic description in the repository

*Publisher copyright*

(Article begins on next page)



#03 FALL 2018

*Guest-curated by Jeremy Till*

#03 MONEY. The Economies of Architecture

The discussion of architecture, with all the visibility of its objects, tends to downplay the invisible flows of money that sustain its production. It is as if the dependency on economic forces is too much to face up to; better then to celebrate the catalytic genius of the architectural hero and then the glorious outputs, and try to ignore everything else that goes on in between. This issue intends to probe the in-between space of the operations of architecture, examining the intersection of the projects of architecture with economies, and with it their associated social and political contexts and implications. It is only through a better understanding of the way that contemporary economics cut across architectural operations that one can learn to deal with these dominant forces in a resistive and transformational manner.

Contributions to #03:

Jeremy Till  
Sandra Kaji-O'Grady  
Lina Malfona  
Fredrik Torrisson  
Tim Gough  
Megan Groth  
Adam Wood  
Andrea Gritti, Ezio Micelli  
and Alessandra Oppio  
Angela Condello  
Who Builds Your Architecture?  
Petar Bojanić  
Sheng Zhao  
Melanie Dodd  
Andrea Alberto Dutto

Reviews:

Juliet Odgers, Mhairi McVicar,  
Stephen Kite (Ed.),  
Economy and Architecture  
Anne Haila,  
Urban Land Rent

Rosenberg & Sellier

www.rosenbergesellier.it

ISSN 2532-6457



EURO 25,00

ARDETH

Rosenberg & Sellier

**Executive Director**

Carlo Magnani

**Editorial Board**

Francesca Frassoldati (editor in chief); Alessandro Armando;  
Daniele Campobenedetto; Valeria Federighi; Caterina Barioglio;  
Federico Cesareo (secretary)

**Advisory Board**

Ash Amin; Tiziana Andina; Pepe Barbieri; Petar Bojanić; Alessandra Capuano; Pierre Chabard; Marco Cremaschi; Marco Dugato; Giovanni Durbiano; Franco Farinelli; Maurizio Ferraris; H  l  ne Frichot; Gevork Hartoonian; Felipe Hernandez; Sandra Kaji'O'Grady; Carlo Manzo; Carlo Olmo; Igor Marjanovic; Rahul Mehrotra; Juan Manuel Palerm Salazar; Gabriele Pasqui; Piero Ostilio Rossi; Andrea Sciascia; Felicity D. Scott; Jeremy Till; Fabio Todeschini; Stephan Tr  by; Ilaria Valente; Albena Yaneva; Zhang Li

**Contacts**

For any question regarding submission to Ardeth or reviews,  
please write to  
redazione@ardeth.eu

For any further question, please write to  
info@ardeth.eu

Articles and calls for papers are available on  
www.ardeth.eu

**Funding**

Politecnico di Milano, DASTU  
(Dipartimento di Architettura e Studi Urbani)

Politecnico di Torino, DAD  
(Dipartimento di Architettura e Design)

Universit   IUAV di Venezia, DCP  
(Dipartimento di Culture del Progetto)

Universit   di Roma La Sapienza, DiAP  
(Dipartimento di Architettura e Progetto)

**Graphics**

Tapiro Design – Venezia / Dalila Tondo - Torino

   2018 Rosenberg &amp; Sellier

Published under the Attribution-NoDerivatives 4.0  
International Creative Commons license



Every effort has been made to trace or contact all copyright-holders.  
The publisher will be pleased to make good any omissions  
or rectify any mistakes brought to his attention  
at the earliest opportunity.

**Publisher**

LEXIS Compagnia Editoriale in Torino srl  
via Carlo Alberto 55  
I-10123 Torino  
rosenberg&sellier@lexis.srl

**2019 subscription price list**

(issues #04 #05)

	Italy	Europe	World
paper edition	�� 45,00	�� 60,00	�� 75,00
digital edition	�� 18,00	�� 18,00	�� 18,00
paper + digital edition	�� 52,00	�� 67,00	�� 82,00

For subscriptions and any further information:  
abbonamenti@rosenbergesellier.it  
fax +39.011.0120194

Single issues and articles can be purchased on

[www.rosenbergesellier.it](http://www.rosenbergesellier.it)

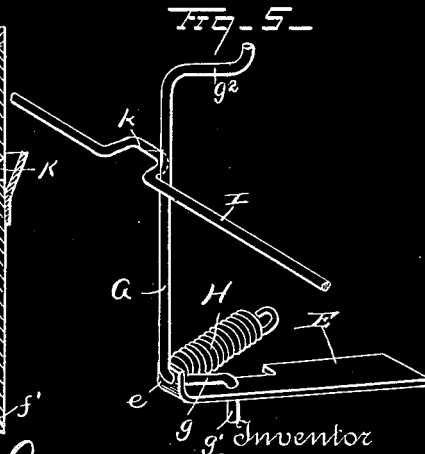
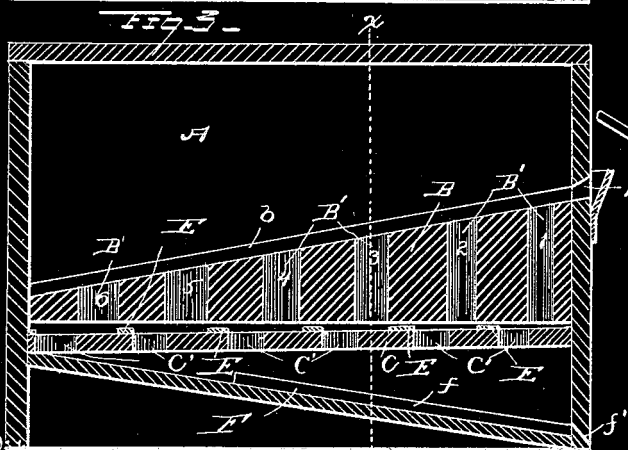
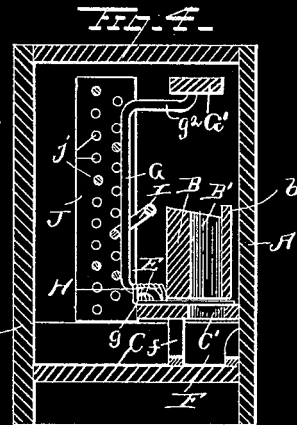
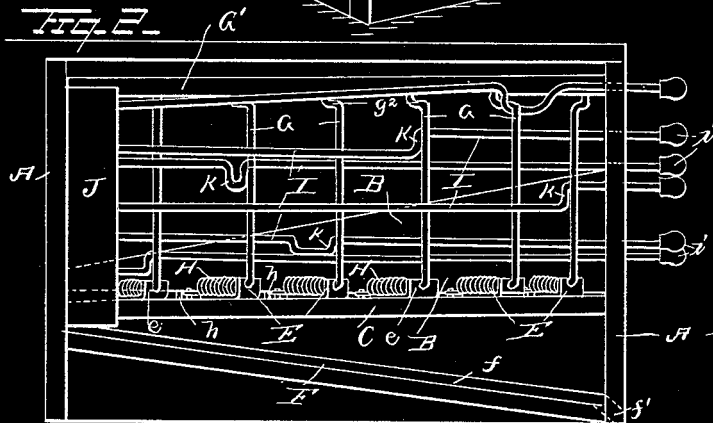
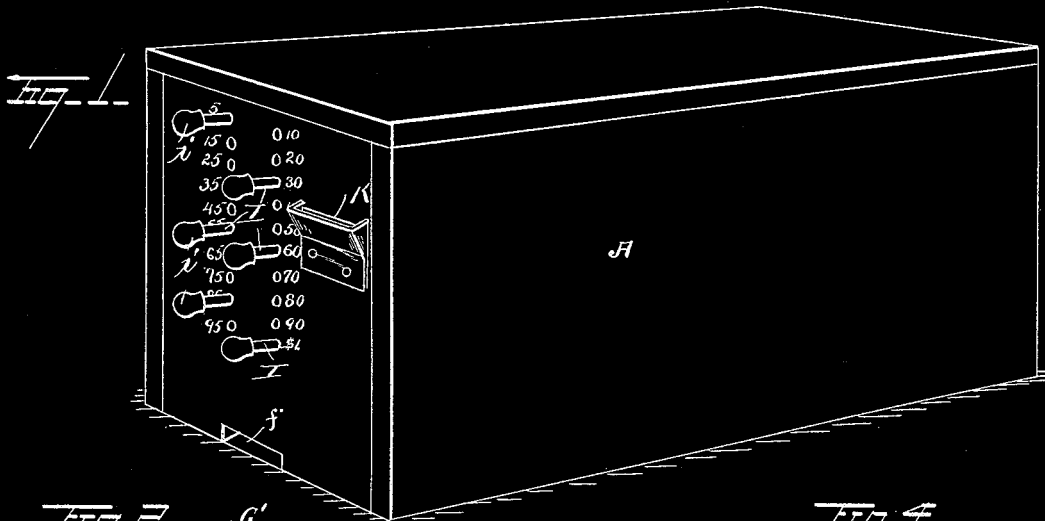
Rosenberg & Sellier    un marchio registrato utilizzato per concessione della societ   Traumann s.s.  
Iscrizione al Registro Stampa del Tribunale di Torino n. 38/2017 del 17/07/2017  
Direttore responsabile: Antonio Attisani

(No Model.)

J. W. GREER.  
MONEY CHANGER AND COUNTER.

No. 362,738.

Patented May 10, 1887.



Witnesses

*Wm. S. Gill*  
*W. S. Gill*

Inventor  
*John W. Greer*  
By *his* Attorney  
*A. Howden*

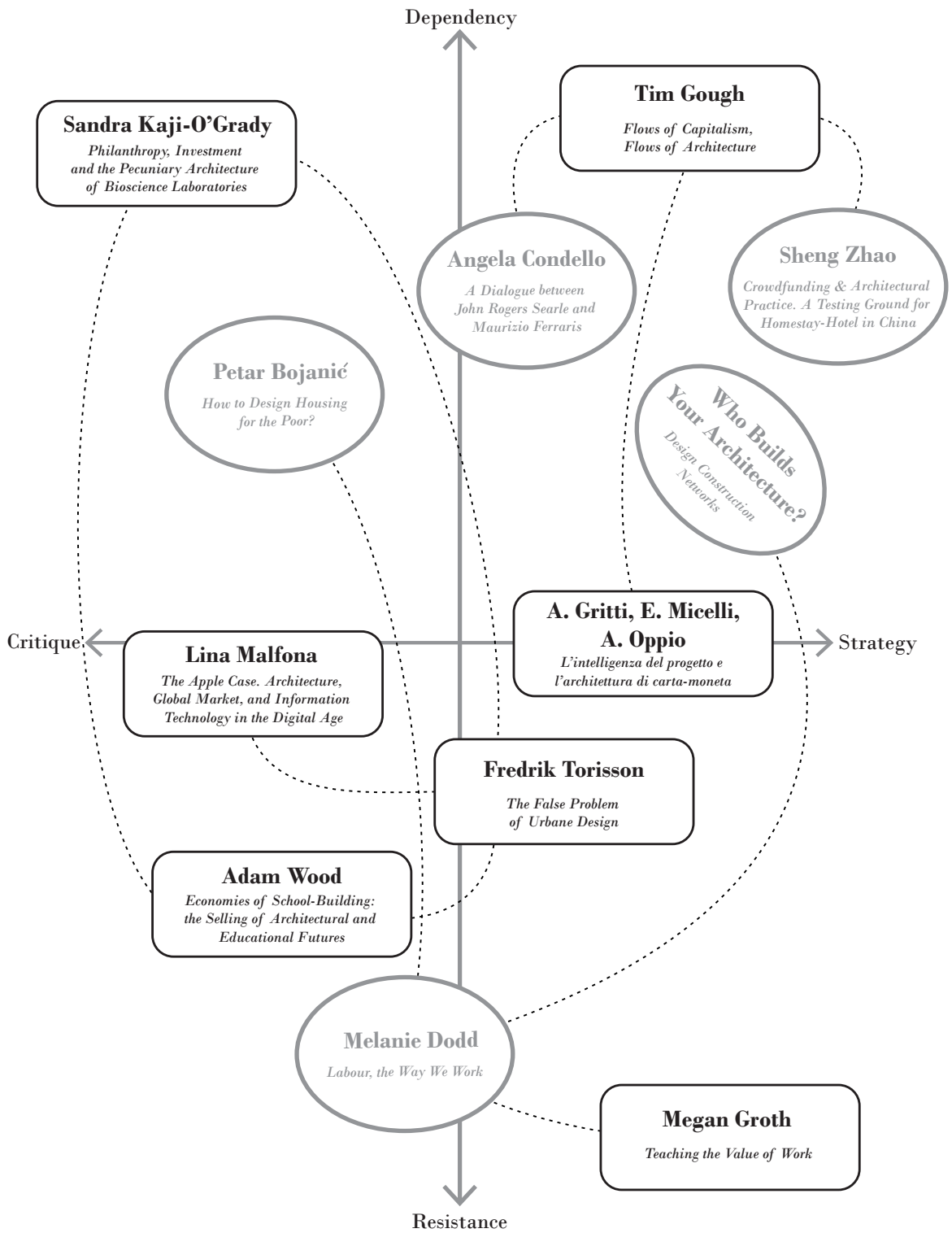
**Cover image**

J.W. Greer, Money changer and counter, maggio 1887.

# Ardeth #03

## contents

- 5 **Money, or the Elephant in the Room**  
The Editorial Board of “Ardeth”
- 15 **Editorial. The Economies of Architecture**  
Jeremy Till
- 25 **Philanthropy, Investment and the Pecuniary Architecture of Bioscience Laboratories**  
Sandra Kaji-O’Grady
- 53 **The Apple Case. Architecture, Global Market, and Information Technology in the Digital Age**  
Lina Malfona
- 75 **The False Problem of Urbane Design**  
Fredrik Torisson
- 97 **Flows of Capitalism, Flows of Architecture**  
Tim Gough
- 117 **Teaching the Value of Work**  
Megan Groth
- 137 **Economies of School-Building: the Selling of Architectural and Educational Futures**  
Adam Wood
- 159 **L’intelligenza del progetto e l’architettura di carta-moneta**  
Andrea Gritti, Ezio Micelli,  
Alessandra Oppio
- 181 **Two Questions on the Ontology of Money. An Imaginary Dialogue between John Rogers Searle and Maurizio Ferraris**  
Angela Condello in dialogue with John Rogers Searle and Maurizio Ferraris
- 193 **Design Construction Networks Who Builds Your Architecture? (WBAYA?)**
- 205 **How to Design Housing for the Poor?**  
Petar Bojanić
- 219 **Crowdfunding & Architectural Practice. A Testing Ground for Homestay-Hotel in China**  
Sheng Zhao
- 229 **Labour, The Way We Work**  
Melanie Dodd
- 237 **RE: This Thing Called Theory**  
Andrea Alberto Dutto
- 243 Reviews
- 247 **Ardeth #05**  
Andrés Jaque



# Money, or the Elephant in the Room Denaro, o il convitato di pietra

## The Editorial Board of "Ardeth"

The theme of this third issue of "Ardeth", *Money: The Economies of Architecture*, explicitly confronts one of the main problems that the journal is concerned with, i.e., the problem of power around the project of architecture. The project of architecture takes on the dimension of money and of economies from many angles, as highlighted by guest editor Jeremy Till in the call for papers. Money can be intended as a social object (money itself), as the set of flows and circulation of entities invested in some form of value that weave projects (evaluations, procedures, negotiations, i.e., that is, networks of exchange), or, again, as the very paradigm of binding or deontic power, embodied through contracts: "an allegory of the human bond," following the definition that Angelo Condello gives in her dialogue with John Searle and Maurizio Ferraris. It seems therefore inevitable that the encounter between theoretical investigations around the project of architecture and this matter should cross the field of critical discourse. Or, at the very least, this is what emerges from the received contributions: authors answered the call for papers primarily by considering money as a problematic matter, one that calls for

**Contacts:**  
redazione  
[at] ardeth.eu

**DOI:**  
10.17454/ARDETH03.01

**ARDETH#03**



close unpacking in order to denounce inequalities and forms of exploitations, to demystify biased representations, and to unveil latent powers or opaque systems of speculation. Quite differently from what might have happened in a journal dedicated to building management or operations research, none of the authors chose to work on issues of innovation, efficiency, or development of the project of architecture by tackling its economic dimension in its instrumentality and (hypothetical) neutrality. In 2014, the editors of “Perspecta” opened the editorial of the thematic issue of the journal, *Money*, with these words: “There is an elephant in the room. It sits at every client meeting. It chooses every material, sets length of every cantilever.” And again: “formless itself, money forms architecture – but the academic community remains hesitant to broach the subject” (Andrachuck, J., Chrisovalantis Bolos, C., Forman, A., Hooks, M. A., 2014, “Perspecta: The Yale Architectural Journal”). Inside the issue, Peggy Deamer and Phil Bernstein reflected on the very definition of architectural labor as a professional service to be recognized and remunerated – as opposed to the common conceptualization through terms such as *creativity* and *calling* – that is carried out by operators of architectural design services and that ends up making the architectural intellectual effort both a product to be commoditized and the designated victim of competitive pricing pressure. Without taking up those sections of disciplinary debate, the spectrum of contributions in this issue of “Ardeth” paints a picture of quite diverse positions, not only with respect to a set of values that can be debated but is ultimately accepted but especially with respect to the discursive forms that architectural design theory can take, from an ideological critique to pragmatism.

As in the previous two issues, the editorial board proposes a comparative reading map of the contributions. Our hypothesis of distribution – a partial one, and finalized at registering only a stage of the debate – is based on two differential axes. The horizontal axis refers to the form of discourse and distinguishes between critique and strategy. *Critique (pars destruens)* refers to papers that are predominantly critical in their use of case studies or consider the object of argumentation as an element to be deconstructed. *Strategy (pars construens)*, the second form of discourse, features papers that are predominantly categorized by a strategic focus on a hypothesis of reaction to the status quo, a possible way out, or even an operative proposal for the project. The vertical axis refers to the varying conceptions of the power of the project. These, too, can be narrowed down to two categories. *Resistance* refers to the concept that the project of architecture as a tool (and a discipline) is able to take a stand in itself, even in opposition to the institutional nature of processes, of dominant narratives, and of technical, administrative, and economic imperatives. *Dependency*, meanwhile, starts from the assumption that the action of the project of architecture is structurally intertwined with current institutional conditions and with administrative and financial apparatuses from which the power of the project consequentially emerges regardless of unfavorable conditions.

In this reading map, the contributions have been spread out in a complementary fashion to reveal correlations and oppositions that can, we hope, be useful in carrying the debate further.

**Kaji-O'Grady** describes the world of philanthropic donations to biological research in the USA by underlining the close (and unavoidable) relationship of dependency between architectural work and the symbolic and strategic choices of investors. These billionaires use their money to mold the form and even the function of projects. In a way, the project is looked at from the outside, as if it were a minor and passive component, constrained within an enormous mechanism of concentrated flows of money. Ultimately, these monarchical decisions are accepted in the name of future science and its progress.

In a similar way, **Torisson** focuses on the symbolic and mystifying strength of a future promise (the construction of Studio Building in Malmö) aimed at carrying out urban transformations by avoiding opening the process up to negotiations and controversies that might prove disruptive (and affect efficiency). The project, once again, is described as a passive piece amid strategies decided within settings and roles that are extraneous to architecture: the project is a mere tool, and the architect is a technician ("expert"). In this case, however, the author hopes for a social and participatory turn in which the project of architecture can regain ground and weigh on urban destinies wherever it is possible for it to not merge with neoliberal rhetoric around a falsely harmonizing promise of urban futures.

**Malfona** writes about the case of a modern paradigmatic building, the Apple Park in Cupertino, reading it in morphological, typological, distributive, and even geographical terms, while also comparing it to similar older buildings. The reference to Tafuri (also present in Torisson's paper) and to his critique of "super-technological monuments" clarifies the fundamentally critical cut of such a reading by interpreting the homologies between the style of the company and the meaning, either deliberate or involuntary, of architecture ("Golden prison or Utopian city?").

A different cut appears in **Gough's** paper, which opens with a strategic question: how can architecture resist neoliberalism? The answer appears in the writings of Deleuze and Guattari and, although rooted in critical theory, attempts to find a propositive direction ("Criticism... is only a preliminary step"). According to the author, it is flows and conditions of relation governing the project – implications, we would like to call them – that work not only as constraints but also as "surplus" and thus as a fundamental lever for the power of the project. Capitalism is only solid in its effects, not as initial substance. The conditions within which economic imperatives are created, the dictatorship of money, emerge time and again through incremental assemblages, within which the same project takes strength and grows tougher by transitioning from the enunciation of fictional futures to the constraining structure of contracts. It is possible, then, to develop project strategies that are able to deviate such

conditions from the inside: “In one sense this is a policy (with Sorkin.) of tactics.”

In a way that is somehow parallel, **Groth** makes an operative proposal as answer to a list of problems regarding the progressive delegitimization and devaluing of architects’ work. In this case, the argument refers to a system of values rather than of structures. The challenge concerns the recodification of architects’ ethics in architecture schools, which should adopt a broader understanding of architectural education. The economic, professional, and personal value form a triad towards a lucid pedagogical program that would allow future architects to learn competence and emancipation in an integrated way.

**Wood**, as Kaji-O’Grady and Torisson, takes on the issue of promises of the future and their dangerous (but effective) strength in dominating collective narratives around projects of architecture. The case of public–private partnerships for the building of schools in the UK and Italy is explored in detail in order to highlight the connections between speculative strategies and future educational reform models – reform that promises to be innovative and overcome models that are, in turn, simplistically described as obsolete. In the name of a future, unilateral, non-negotiated promise, public programs are colonized by present-day private interests within a system that postpones the payment of the debts that such operations generate. The modes of financing and partnership constitute the terms within which the project, as a process, takes shape and accepts working as mere executive tool. The final proposal, as a consequence, does not exceed the mainly critical cut of the text and is a call for a “humbler, less heroic approach” – one that is more attentive to present conditions.

**Gritti, Micelli, and Oppio** start from a distinction that, in a way, corresponds to the horizontal axis of our diagram, i.e., the difference between critical autonomy and pragmatic measures (with Michel Serres). While it is presented as deliberately critical, the paper proposes a strictly theoretical strategy that can overcome this distinction through the development of “new ways to represent space.” The authors seem pragmatically oriented to recognize as a given the conditions that are a result of global markets, but they also seem to want to explore forms of integration between the disciplines of the project and those belonging to economic evaluation.

Opening the section of invited authors, **Bojanić** proposes that readers reflect on two key concepts, poverty and dwelling, by reading through authors such as Hegel, Wolff, Engels, Smith, and many others. The framing of the problem of poverty in relation to the social responsibility – or power – of architects allows a positioning of other, critically-oriented contributions by giving a historical perspective running through the whole trajectory of industrial civilization. According to Bojanić, after the first acceleration, the progress of urban reforms slowed down early on, much earlier than the coming of modernism (“There are not many

optimistic protocols in 1872, but the difference from 30 years prior is, it seems to me, far greater, than in the last 150 years”). A provocative solicitation for architects derives from this: to tackle the issue of the power and possibilities around the project of architecture more radically and extensively and to face the challenges of the present day.

**Condello**, in her dialogue with **Searle** and **Ferraris**, takes on the challenge of framing the ontology of money. This piece is a good description of the vertical axis of our diagram, as the positions of the two philosophers with respect to the existence of the social object called *money* are unequivocally opposite. On the one hand, Searle states that money only exists because there exists a collective intentionality recognizing it; on the other, Ferraris maintains that money is founded on a “deep structure” that is made of inscriptions transcending the intentions of subjects. Within this opposition, Condello recognizes the specters of possible positions that can be assumed with respect to the problem of money as well as to social reality in its entirety, along with the conditions within which power is constructed and maintained.

In the first contribution to the section dedicated to comments, **Dodd** gives an extended review of the *Labour* Symposium, which took place at London’s Central Saint Martins in March, 2018. The piece is both a map detailing a way around many of the matters discussed in the other papers and a geography of a live debate that circles around the issue of architects’ and building construction agents’ work in its various forms of exploitation and mystification.

Finally, the two graphic articles published in this issue differ in form and content, both nonetheless showing some of the possible ways for using the tools of drawing and diagrams to build an argument in the field of architectural design theory. **Zhao** builds a map of the process of financing and building a treehouse through the mechanism of global crowdfunding. In this case, the concrete correlations between network, money, and project actions seem to suggest that it is, in fact, possible to hack capital, as suggested by Gough. On another matter, **Who Builds Your Architecture?** employs the tools of architectural drawing and sequential storytelling in order to reveal the controversial implications that tie the construction of big buildings to the conditions of the exploitation of workers – construction workers as well as designers – giving actual evidence of the issues raised by Dodd. By not stopping at a critical read, “WBYA” proposes a possible action that relies on measurable procedures for each of the problems encountered.

Almost as a postscript, and pulling together some of the threads left hanging on the first issue of “Ardeth”, **Dutto** reviews the seminar Double Crossing that took place at the Architectural Association on May 30<sup>th</sup>, 2018, as a follow-up to the cycle *This Thing Called Theory* (cfr. Ponzio G., “Ardeth”, 1, 2017); this is a conclusive note underlining the problem of the difficult relationship between theories and practices of architecture, one that is marked by suspicion, unfaithfulness, and two-way betrayals.

L'argomento di questo terzo numero di "Ardeth", *Money: The Economics of Architecture* sollecita in modo esplicito uno dei problemi fondamentali che la rivista intende esplorare, ovvero il problema del potere del progetto di architettura. La dimensione del denaro e delle "economie" investe il progetto da molte direzioni, come messo in luce dal curatore Jeremy Till nella call for papers. "Money" può essere inteso come un oggetto sociale (il denaro stesso), come l'insieme dei flussi e delle circolazioni di entità dotate di valore che intessono i progetti (le valutazioni, le procedure, le negoziazioni: vale a dire le reti di scambi), oppure come il paradigma stesso del potere obbligante, o "deontico", incarnato nei contratti: «un'allegoria dei vincoli umani» – secondo la definizione che Angela Condello enuncia nel corso del suo dialogo con John Searle e Maurizio Ferraris. Sembra pertanto inevitabile che l'incontro tra le indagini teoriche sul progetto architettonico e questo argomento debba attraversare il terreno del discorso critico. O, per lo meno, questo è quanto emerge dai contributi che abbiamo ricevuto: gli autori hanno risposto innanzitutto considerando "Money" come un ambito problematico, su cui era necessario soffermarsi per denunciare disuguaglianze e forme di sfruttamento, demistificare rappresentazioni pacificate, disvelare poteri latenti o sistemi opachi di speculazione. Diversamente da quanto probabilmente sarebbe successo su una rivista di *building management* o di *operations research*, nessun autore si è direttamente occupato di questioni di innovazione, efficienza o "sviluppo" del progetto architettonico, considerando la dimensione economica nella sua strumentalità e (presunta) neutralità. Nel 2014, James Andrachuk apriva l'editoriale del numero monografico *Money* di "Perspecta" con queste parole: "Formless itself, money forms architecture – but the academic community remains hesitant to broach the subject" (Andrachuk, J., Chrisovalantis Bolos, C., Forman, A., Hooks, M. A., 2014, "Perspecta: The Yale Architectural Journal"). All'interno del numero, Peggy Deamer e Phil Bernstein si interrogavano in particolare sulla definizione stessa di lavoro in architettura come servizio professionale da retribuire e riconoscere, nonostante la concettualizzazione idealizzata degli incaricati dei servizi di progettazione, basata sui termini della creatività o della "vocazione", finisca per rendere lo sforzo intellettuale indifendibile rispetto alle logiche dei costi al ribasso. Senza riprendere quei nodi del dibattito disciplinare, lo spettro dei contributi di "Ardeth" restituisce un quadro di posizioni molto diverse, non solo rispetto a un set di valori dibattuto ma fondamentalmente accettato, ma soprattutto rispetto alle forme discorsive che la teoria del progetto architettonico può assumere – dalla critica dell'ideologia al pragmatismo. Come già avvenuto nei precedenti due numeri, la redazione propone una mappa comparativa di lettura degli articoli. La nostra ipotesi di distribuzione, come sempre del tutto parziale, riduttiva e finalizzata a registrare una tappa del dibattito, si basa su due assi differenziali. Il primo asse si riferisce alla forma del discorso, distinguendo tra "critica" e "strate-

gia”: gli articoli prevalentemente “critici” usano il proprio caso studio o oggetto argomentativo come elemento da decostruire (*Critique - pars destruens*); mentre gli articoli prevalentemente “strategici” mettono al centro del proprio discorso un’ipotesi di reazione allo status quo, una via di uscita possibile, o persino una proposta operativa per l’azione di progetto (*Strategy - pars construens*). Il secondo asse si riferisce invece alle diverse concezioni del potere del progetto (per lo meno nella nostra interpretazione): alcuni autori sembrano considerare il progetto di architettura come uno strumento (e una disciplina) capace di affermarsi con le proprie forze, anche in opposizione alla dimensione istituzionale dei processi, delle narrazioni dominanti e degli imperativi tecnici, amministrativi ed economici (*Resistance*). Altri sembrano invece presupporre che l’azione del progetto di architettura sia strutturalmente intrecciata con le condizioni istituzionali vigenti, con gli apparati amministrativi e del capitale, e che dunque il potere del progetto non possa che emergere, al limite, da tali condizioni, per quanto possano apparire indesiderabili (*Dependency*).

In questa mappa, i testi si dispongono in modo abbastanza complementare, rivelando correlazioni e opposizioni che speriamo siano utili ad alimentare la discussione.

**Kaji-O’Grady** descrive il mondo delle donazioni filantropiche alla ricerca biologica negli Stati Uniti, sottolineando il rapporto di stretta (e ineludibile) dipendenza delle scelte architettoniche dalle scelte simboliche e strategiche degli investitori: il denaro dei miliardari sembra piegare la forma e persino la funzione dei progetti. In un certo senso il progetto è guardato da fuori, come un componente minoritario e tendenzialmente passivo, stretto in un enorme meccanismo di flussi concentrati di denaro e decisioni sostanzialmente monarchiche, prese in nome del progresso della scienza futura.

Anche **Torisson** si concentra sulla forza simbolica e mistificante di una promessa futura (la costruzione dello *Studio building* a Malmo) che serve a condurre a buon fine un processo di trasformazione urbana, evitando di aprirlo a negoziazioni e controversie potenzialmente dirompenti (e meno efficienti). Il progetto, di nuovo, sembra passivo di fronte a strategie e decisioni che vengono prese in ambiti e ruoli esterni all’architettura: il progetto è un mero strumento, e l’architetto è un tecnico (“expert”). Tuttavia in questo caso l’autore auspica anche che, nell’orizzonte di una svolta “sociale” e “partecipativa”, il progetto di architettura possa riguadagnare terreno nell’incidere sui destini urbani, laddove esso sia in grado di non confondersi con le retoriche neoliberaliste di una promessa falsamente armonizzante per il futuro delle città.

**Malfoa** affronta il tema di un edificio-paradigma dei nostri giorni, l’*Apple Park* a Cupertino, leggendolo in termini morfologici, tipologici, distributivi e anche geografici, ma anche confrontandolo con modelli altrettanto paradigmatici del passato. Il riferimento a Tafuri (come già in Torisson) e alla sua critica dei “monumenti supertecnologici” esplicita il



taglio fondamentalmente critico di questa lettura, secondo un'interpretazione delle omologie tra lo "stile" della *company* e i significati, programmatici o involontari, dell'architettura («Golden prison or Utopian city?»). Diverso appare il taglio dell'articolo di **Gough**, che invece apre con una domanda strategica: come può l'architettura resistere al neoliberismo? La risposta, sulla traccia di Deleuze e Guattari, per quanto radicata nella teoria critica tenta di trovare una direzione propositiva («criticism is only a preliminary step»). Secondo l'autore sono i "flussi" e le condizioni di relazione – vorremmo dire le implicazioni – che legano il progetto alle condizioni date, a fungere non soltanto da vincolo, ma anche da "surplus" e dunque da leva fondamentale per il potere dei progetti. Il capitalismo è solido solo nei suoi effetti, e non come sostanza data all'origine. Le condizioni in cui si formano gli imperativi economici, la dittatura del denaro, emergono ogni volta da assemblaggi incrementali, nei quali lo stesso progetto si rafforza e si irrigidisce, transitando dall'enunciazione di azzardi alla struttura obbligatoria dei contratti. È dunque possibile sviluppare delle strategie di progetto capaci di deviare dall'interno queste condizioni: «In one sense this is a policy (with Sorkin) of tactics».

In un modo per certi versi parallelo, **Groth** si indirizza verso una proposta operativa per rispondere a una lista di problemi che riguardano la progressiva delegittimazione e svalutazione del lavoro degli architetti. In questo caso l'autrice parte da una proposta di natura valoriale, e non strutturale. La sfida riguarda la ricodificazione dell'etica degli architetti nelle università, che dovrebbero indirizzarsi verso una più estesa concezione dell'*architectural education*. Il valore economico, professionale e personale compongono una triade per un programma pedagogico lucido, che consentirebbe ai futuri architetti di imparare a sviluppare competenza e capacità di emancipazione in modo integrato.

**Wood** riprende, con Kaji-O'Grady e Torisson, il tema delle promesse al futuro e della loro pericolosa (ma efficace) forza nell'egemonizzare le narrazioni collettive che accompagnano i progetti. I casi delle partnership pubblico-privato per la costruzione di edifici scolastici nel Regno Unito e in Italia vengono dettagliatamente esplorati per far emergere i nessi tra le strategie speculative e le promesse di una riforma futura del sistema educativo, tutta improntata all'innovazione e al superamento di modelli considerati sbrigativamente obsoleti. In nome di una promessa futura, unilaterale e non negoziata, i programmi di iniziativa pubblica vengono così colonizzati dagli interessi privati del presente, rimandando peraltro al futuro anche il saldo dei debiti che tali operazioni mettono in gioco. I meccanismi di finanziamento e partnership costituiscono i termini in cui il progetto si forma processualmente, prestandosi a diventare mero strumento di esecuzione. La proposta finale, di conseguenza, è un appello per un «approccio più umile, meno eroico» e più orientato al presente, ma non sembra superare il taglio prevalentemente critico del testo.

**Gritti, Micelli e Oppio** partono da una distinzione che, per certi versi, corrisponde all'asse orizzontale del nostro schema, ovvero la differenza

tra autonomia critica e misurazione pragmatica (riprendendo Michel Serres). Per quanto si annunci come improntato a “una prospettiva deliberatamente critica”, l’articolo propone in effetti una strategia, in termini strettamente teorici, che possa “superare” questa contrapposizione attraverso lo sviluppo di “nuove modalità di rappresentazione dello spazio”. In sostanza gli autori sembrano pragmaticamente orientati a riconoscere come ineludibili le condizioni dettate del mercato globale, ma anche a voler esplorare forme di integrazione tra le discipline del progetto e quelle della valutazione economica.

Apprendo la sezione degli autori invitati, **Bojanić** sottopone ai lettori una riflessione su due concetti chiave, *poverty* e *dwelling*, ripercorrendo autori quali Hegel, Wolff, Engels, Smith e molti altri. L’inquadramento del problema della povertà nella sua relazione con la responsabilità (o potere?) sociale degli architetti mette a fuoco lo sfondo dei discorsi critici precedenti, restituendo una prospettiva storica che comprende tutta la traiettoria della civiltà industriale. Secondo Bojanić il “progresso” delle riforme urbane avrebbe, dopo una prima accelerazione, rallentato molto presto, ben prima dell’avvento del modernismo («There are not many optimistic protocols in 1872, but the difference from 30 years prior, it seems to me, far greater, than in the last 150 years»). Da qui una sollecitazione provocatoria, nei confronti degli architetti, perché riaprano più radicalmente ed estesamente la questione del potere e delle possibilità del progetto, confrontandosi con le sfide del presente.

**Condello**, nel suo dialogo con **Searle** e **Ferraris**, si fa carico di fornire un quadro sull’ontologia del denaro. Questo testo rappresenta anche una buona descrizione dell’asse verticale del nostro schema, poiché le posizioni dei due filosofi rispetto all’esistenza dell’oggetto sociale “money” si contrappongono in modo inequivocabile. Da una parte Searle sostiene che il denaro può esistere perché esiste una intenzionalità collettiva che lo riconosce; dall’altro Ferraris sottolinea come il denaro si fondi su una “struttura profonda” che è fatta di registrazioni, che trascendono le intenzioni dei soggetti. In questa contrapposizione Condello riconosce l’arco delle possibili posizioni che possono essere assunte di fronte non soltanto al problema del denaro, ma alla realtà sociale nel suo insieme e alle condizioni di costruzione (e mantenimento) del potere.

Nel primo contributo nella sezione dei commenti, **Dodd** fornisce un resoconto del simposio *Labour*, tenutosi presso la Central St. Martin’s di Londra nel Marzo 2018, che è sia una mappa di ricapitolazione di molte delle istanze espresse nei vari articoli, sia la geografia di un dibattito vivo che ruota attorno al tema del lavoro degli architetti e degli addetti alla costruzione degli edifici, nelle sue varie forme di sfruttamento e mistificazione.

Infine, i due articoli grafici pubblicati in questo numero si distinguono per forma e contenuto, ma dimostrano entrambi alcune vie possibili nell’utilizzare gli strumenti del disegno e del diagramma per costruire un’argomentazione nel campo della teoria del progetto architettonico.



**Zhao** costruisce la mappa di un processo relativo al finanziamento e alla realizzazione di un progetto per una *treehouse*, attraverso un meccanismo di crowd-funding globale. In questo caso le correlazioni concrete tra rete, denaro e azioni di progetto sembrano suggerire effettivamente che sia possibile ripercorrere le trame del capitale in forme alternative – come suggerito da Gough. Su un altro fronte, **Who Builds Your Architecture?** utilizza gli strumenti del disegno architettonico e del fumetto per esplicitare le controverse implicazioni che legano la realizzazione di un grande edificio alle condizioni di sfruttamento dei lavoratori – siano essi operatori edili o progettisti – dando prova evidente delle questioni riassunte da Dodd. Senza limitarsi all’operazione critica, WBYA propone per ciascuno degli aspetti problematici una possibile azione fondata su procedure misurabili.

Quasi come una postfazione, e riprendendo alcuni temi già esplorati nel primo numero di “Ardeth”, **Dutto** ci racconta il seminario Double Crossing che ha avuto luogo presso la Architectural Association il 30 Maggio 2018, come prosecuzione del ciclo *This Thing Called Theory* (cfr. Ponzio G., “Ardeth”, 1, 2017). Una nota conclusiva che sottolinea il problema del difficile rapporto tra teorie e pratiche dell’architettura, segnato da sospetti, infedeltà e tradimenti reciproci.