

Precise positioning in a robotized laser-cutting machine allowed by a three-V-shaped-groove kinematic coupling: a feasibility study

Original

Precise positioning in a robotized laser-cutting machine allowed by a three-V-shaped-groove kinematic coupling: a feasibility study / DE BENEDICTIS, Carlo; Ferraresi, Carlo. - In: ROBOTICA. - ISSN 0263-5747. - ELETTRONICO. - 41:9(2023), pp. 2703-2712. [10.1017/S0263574723000619]

Availability:

This version is available at: 11583/2981556 since: 2023-09-04T08:44:16Z

Publisher:

Cambridge University Press

Published

DOI:10.1017/S0263574723000619

Terms of use:

This article is made available under terms and conditions as specified in the corresponding bibliographic description in the repository

Publisher copyright

(Article begins on next page)

RESEARCH ARTICLE

Precise positioning in a robotized laser-cutting machine allowed by a three-V-shaped-groove kinematic coupling: a feasibility study

Carlo De Benedictis ^{*1} Carlo Ferraresi¹¹Department of Mechanical and Aerospace Engineering, Politecnico di Torino, Turin 10129, Italy.*Corresponding author. E-mail: carlo.debenedictis@polito.it**Received:** xx xxx xxx; **Revised:** xx xxx xxx; **Accepted:** xx xxx xxx**Keywords:** three-groove coupling, kinematic coupling, precise positioning, machine design, mechanical connection

Abstract

Devices known as kinematic couplings offer accurate, repeatable, and stiff connections between two parts. They are characterized by point contacts and enable great repeatability with errors less than 1 micron, in contrast to conventional coupling systems like alignment pins or those based on elastic deformation. In this study, a robotized laser-cutting machine is equipped with a three-groove kinematic coupling design to increase the precision of workpiece placement. Given the application's requirements, a preliminary design of the coupling is defined. An analytical approach is provided for calculating stresses and deflections at the locations where balls and grooves make contact, and it is then utilized to calculate positioning errors caused by the mechanical structure's elastic deformation under various loading conditions. The outcomes of the simulations are finally discussed and highlight the efficacy of the solution tested.

1. Introduction

High-precision couplings are necessary when two parts must be positioned relatively with accuracy. This is particularly common in automation industry or in environments where robots interact with surrounding elements. In this framework, coupling design can be critical to further improve the precision achieved by the robot. Moreover, this design has also an impact on the architecture and control of the robot, that, in order to work properly, should be able to correct those uncertainties related to the accuracy of the coupling, if requested by the application. In many scenarios, it is relevant to ensure the correct repeatability of the mechanical connection, that is the possibility to take apart and put back together the elements of the coupling. The accuracy of this connection must be ensured also for many cycles, unlike structural joints that are not supposed to be disassembled with continuity. In the following, a general description of the main coupling designs is presented.

Surface contacts represent the simplest design, in which two elements are connected through relatively flat interfaces. Among the several methods available to locate relatively two components, alignment pins surely represent the simplest solution [1]. In those conditions that require pressure mount between the pin and the hole, elastic deformation of the connection elements is necessary [2], resulting in over-determined couplings with redundant constraints. This is the case for pressure joints, wedges, guides and grooves connections, that require an initial wear-in phase to reach the desired level

of repeatability. By considering coupling devices based on surface contact, to achieve high precision in the relative positioning of two parts, strict tolerances in the manufacturing of the connection pieces are required. In some conditions, these tolerances could result stricter than the actual accuracy required by the coupling itself.

Designs shown above, based on surface contacts, generally constraint 3 Degrees of Freedom (DoFs) and achieve average repeatability (about 1 micron). On the other hand, quasi-kinematic and kinematic couplings allow for higher precision and repeatability. In particular, quasi-kinematic design is based on line contacts, hence it constraints 2 DoFs. For instance, a quasi-kinematic coupling is obtained through the connection between a convex element and a concave surface (groove) obtained on the second element of the coupling, that results in several arcs of contact. Compared to traditional surface contacts, the reduction to line contacts limits the load capacity of such designs, however higher repeatability is allowed (about 0.5 micron) [3].

Kinematic couplings are static, precision machined contacts that can enable high accuracy and repeatability in the relative positioning between two parts [4–6]. They are made in a way that the number of connections between two solid models corresponds to the number of limited degrees of freedom. In general, repeatable connections between two elements are obtained through six contact areas, which correspond theoretically to six points. Kinematic couplings can be selected for those applications in which engagements are routinely separated but, at the same time, high repeatability and accuracy must be achieved. When properly designed, these couplings are deterministic, hence the performance should be predictable just as maintenance requirements. In general, the weight of the component or forces provided by selected actuators and springs provide the nesting force. To keep the integrity of the coupling elements after many cycles, the design and manufacturing of those devices have to be performed carefully and with strict tolerances [7,8]. In particular, bad design can lead to failure due to fractures initiated in those points where stress is locally very high. Moreover, in theoretical point contact, no lubrication can be ensured between the two connecting elements. For these reasons, corrosion-resistant materials as ceramic are necessary for heavy applications where high loads and high-cycle are expected [9]. Despite the additional effort in the design of such couplings, repeatability can be very large, with errors lower than 1 micron even for steel-based connections [6].

In this work, the application of kinematic coupling design to a robotized laser-cutting machine is shown. In particular, a solution based on a three-V-shaped-groove coupling is chosen and **designed** with the aim of improving the precision of workpieces' positioning allowed by the machine, which has been originally dependent on a traditional “mushroom-socket” coupling with low repeatability. **This work has been focused on the evaluation of the efficacy and feasibility of the solution proposed, and it has been carried out only at theoretical level and supported by simulations.** A method used to evaluate the effect of deformations on the overall accuracy is presented, with a focus on load balancing that allows for further improving the accuracy of the system for most of the expected loading conditions. A preliminary discussion of this topic has been already published in a previous work from the authors [10], of which the current paper represents an extended version. In the following section, the structure of the laser-cutting machine is outlined and the implementation of the kinematic coupling in the machine design is discussed. Then, a preliminary design and the analysis of the three-groove kinematic coupling are carried out, in order to assess the stresses and deflections that affect the resulting positioning accuracy. The results of the simulations are finally shown and discussed.

2. Implementation of the kinematic coupling in the laser-cutting machine design

This work is a case-study type. In particular, it has been developed as part of a project run by a company that ranks among the world's leaders in laser-cutting and welding fields. [11]. Aim of the study is to evaluate the feasibility of kinematic coupling for the precise positioning of workpieces in a robotized laser-cutting machine designed by the company. Objectives of this work are the mechanical design of the coupling and the assessment of its accuracy, given the target precision of 0.02 mm required by the

application. Fig. 1a shows the CAD assembly of the machine.

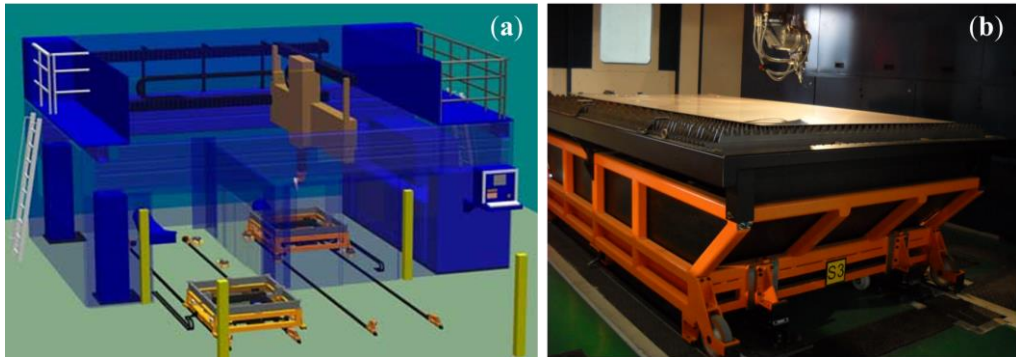


Figure 1. (a) The CAD model of the laser-cutting machine; (b) one of the modules of the machine.

The system is made up of two separate modules that are placed next to one another. Each module is positioned on a cart (see Fig. 1b) that is pulled by a gear motor mounted on a linear guide. This translation occurs to move the module between the loading station, where workpieces are positioned on the cart, and the actual machining station. Height-adjustable wheels are installed at the four corners of the structure to provide mobility within the working space. In the original configuration, the accuracy of the positioning of the cart in the working area depended on a traditional “mushroom-socket” type of coupling, which limits the repeatability of the connection as well as its precision, due to the effects of wear on the coupling elements. This phenomenon depends on the number of cycles, and it is difficult to predict its effect on the accuracy of the system. Moreover, any error in the positioning of the cart directly affected the precision of the manufacturing on the workpiece. For this reason, a solution based on a kinematic coupling has been investigated.

Among the several designs available, the one considering three V-shaped grooves and three spheres/balls, in a triangular configuration, has been adopted (see Fig. 2a).

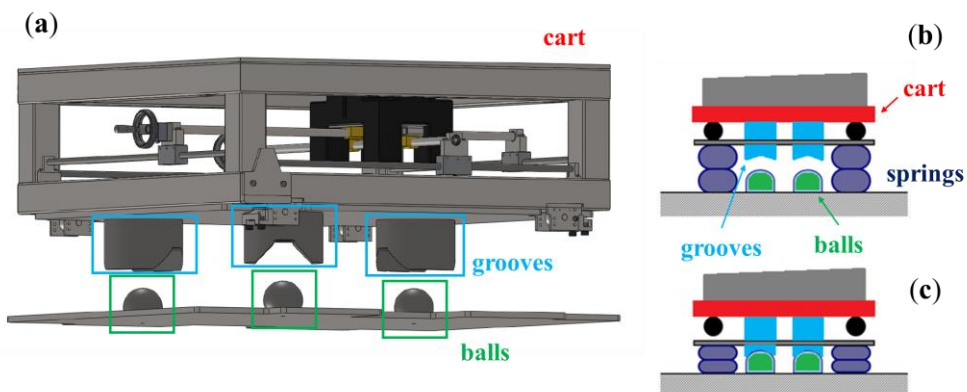


Figure 2. The implementation of the three-groove kinematic coupling: (a) the model of the cart, *sketched without springs and linear guides, along with coupling elements*; sketches of disengaged (b) and engaged (c) configurations [10].

Other shapes as the Kelvin **Clamp** coupling have been preliminary considered but discarded in favor of the three-groove coupling solution from **James Clerk Maxwell** due to the symmetric configuration, which also reduces the costs of manufacturing. **Both designs have been formerly developed in the early 1800 [6]**. The introduction of a dedicated positioning system based on kinematic coupling allows for improved precision with respect to the original configuration. Indeed, once in the machining station, the cart can be decoupled from the linear guide and the vertical motion required to achieve workpiece's ultimate positioning is permitted. To provide the necessary level of accuracy, the final placement occurs only on the coupling parts. Two industrial air springs placed between the rails and the plane below are inflated and deflated to regulate the vertical movement (as shown in Fig. 2b-c). Side linear guides (**not shown in Fig. 2a**) are necessary since the air spring's elasticity does not ensure a straight vertical motion.

3. Design of the three-groove kinematic coupling

Three balls and three V-shaped grooves positioned at the vertices of an equilateral triangle serve as the final connection structure [12, 13]. The ball element is a 100 mm-diameter spherical shell with a base at 3/4 of the height overall. A threaded hole is bored into its flat surface to attach it to the base. This configuration requires that the spheres are stationary while the grooves are part of the cart that translates vertically (see Figs. 2b-c). Each groove is a cylinder with a 200 mm diameter and a 127.5 mm height. For each groove-ball couple, the contact surfaces are cut with an angle of 90° between them on one side of the groove.

The dimensioning of the components requires an appropriate choice of the materials. In particular, the behavior of a hardened stainless steel (440C SST, 200 GPa elastic modulus, 0.28 Poisson ratio), tungsten carbide (WC, 683 GPa elastic modulus, 0.24 Poisson ratio), Teflon (PTFE, 1.32 GPa elastic modulus, 0.46 Poisson ratio), and a ceramic (Si3N4, 240 GPa elastic modulus, 0.25 Poisson ratio) have been compared. In this preliminary analysis, the following data were considered to characterize the system:

- diameter of the coupling, depending on the available surface below the cart: 0.8 m;
- weight of the cart: 3000 N;
- weight of the workpiece: 4500 N.

The static analysis yielded the results shown in Fig. 3.

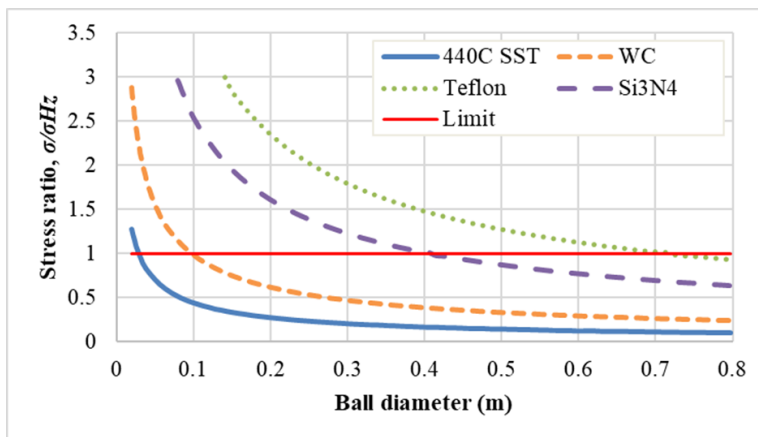


Figure 3. Comparison between the different materials tested for several ball diameters.

For this preliminary evaluation, the point of application of the load was considered coincident to the centroid of the coupling, hence all the elements of the coupling were subjected to the same stress. For each material and ball diameter, the ratio between the contact pressure and the allowable Hertzian stress σ_{Hz} , namely the contact (Hertzian) stress ratio σ/σ_{Hz} , has been estimated. For metals, the allowable Hertzian stress has been set to 1.5 times the ultimate tensile strength [14], whereas for the other materials the ultimate compressive strength has been considered. In order to achieve low stress ratio (below 50%), as well as to have smaller dimensions and lower production costs, 440C stainless steel was chosen. The final diameter of 100 mm led to 45% of stress ratio, as showed by data presented in Fig. 3.

Calculating the stresses and deflections at the contact, which have an impact on the positioning error permitted by the kinematic coupling, is necessary for the coupling's design. The key phases of this technique are described below, more details can be found in the literature [12]. It begins with knowledge of the following information:

- the size of the ball elements and radii of curvature of the grooves;
- the locations of the contact points between the spheres and the grooves;
- the contact forces' orientation;
- the coordinates of the points at which the preload forces are applied and their magnitude;
- the external load magnitude and its point of application;
- the elastic modulus and Poisson coefficient of each material considered.

The normals to the planes holding the contact force vectors for each ball must bisect the internal angles between two consecutive sides of the coupling triangle in order to satisfy the theoretical stability criterion for exact three-groove kinematic couplings [6]. In the illustration of Fig. 4, for example, the normal to the plane π should split in half the angle between the sides joining the couples 12 and 23.

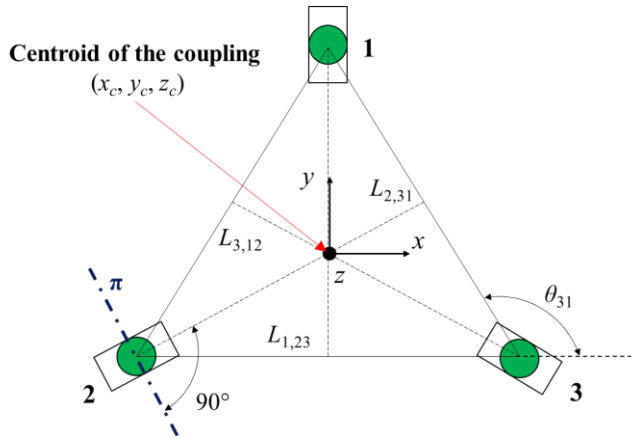


Figure 4. Equilateral triangle shape of the three-groove kinematic coupling.

Being defined the geometry of the system, as well as the physical parameters listed above, the calculation of the six contact forces F_{bi} is obtained by Eq. (1), hence by performing the static analysis of the system. This calculation requires the knowledge of the external force F_e and moments M_e vectors acting on the coupling:

$$\sum F_e = \mathbf{0}, \sum M_e = \mathbf{0} \longrightarrow F_{b_i}, \quad (i = 1 \dots 6) \quad (1)$$

The estimation of stresses and deflections depends on the geometry of the contact area. For this particular kinematic coupling design, the contact region is shaped as an ellipse (see Fig. 5) with semi-

major axis R_{\max} and semi-minor axis R_{\min} . To perform their calculation, the equivalent elastic modulus E_e and the equivalent radius R_e must be known. They are given by Eq. (2):

$$E_e = \frac{1}{\frac{(1-\nu_g^2)}{E_g} + \frac{(1-\nu_b^2)}{E_b}}, \quad R_e = \frac{1}{\frac{1}{R_{g_{\max}}} + \frac{1}{R_{g_{\min}}} + \frac{1}{R_{b_{\max}}} + \frac{1}{R_{b_{\min}}}} \quad (2)$$

where $R_{b_{\max}}$ and $R_{b_{\min}}$ have the same value, $R_{g_{\max}}$ is infinite (i.e., $1/R_{g_{\max}} = 0$) and $R_{g_{\min}}$ is negative. As shown in Eq. (2), elastic modulus and Poisson coefficients are assigned for both coupling elements.

Finally, the semi-major axis and semi-minor axis can be estimated as shown in Eq. (3), given the force F acting on the ball-groove coupling:

$$R_{\max} = \alpha \left(\frac{3FR_e}{2E_e} \right)^{1/3}, \quad R_{\min} = \beta \left(\frac{3FR_e}{2E_e} \right)^{1/3} \quad (3)$$

where α and β are functions of the geometric factor $\cos\theta$ and can be both approximated as polynomial expressions. For this problem, $\cos\theta$ reduces to $R_e/|R_{g_{\min}}|$ [12]. Finally, the Hertzian contact stress σ and deflection δ are calculated for each ball-groove couple with Eq. (4):

$$\sigma = \frac{3F}{2\pi R_{\max} R_{\min}}, \quad \delta = \lambda \left(\frac{2F^2}{3R_e E_e^2} \right)^{1/3} \quad (4)$$

where λ is a function with similar meaning to α and β in Eq. (3).

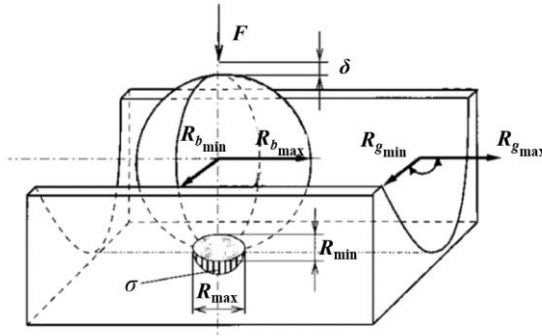


Figure 5. Detail of ball-groove contact for a generic geometry of the groove [10].

The positioning errors in the kinematic coupling may be estimated once the contact stresses and deflections have been found. The weighted average of ball deflections obtained by using Eq. (4) may be used to determine the deviations $\delta_{\zeta c}$ ($\zeta=x,y,z$) of the centroid of the coupling triangle in the scenario where the spheres' relative positioning is not changing noticeably. Rotation errors ε_x and ε_y are then calculated, starting from the segments' lengths L and angles θ , see Fig. 4 for reference. This methodology yields the results shown in Eqs. (5) and (6), under small rotation angles assumption:

$$\varepsilon_x = \frac{\delta_{z1}}{L_{1,23}} \cos \theta_{23} + \frac{\delta_{z2}}{L_{2,31}} \cos \theta_{31} + \frac{\delta_{z2}}{L_{3,12}} \cos \theta_{12} \quad (5)$$

$$\varepsilon_y = \frac{\delta_{z1}}{L_{1,23}} \sin \theta_{23} + \frac{\delta_{z2}}{L_{2,31}} \sin \theta_{31} + \frac{\delta_{z2}}{L_{3,12}} \sin \theta_{12} \quad (6)$$

The average of the rotations about z , with regard to the coupling's centroid, computed for each ball, is used to obtain the rotation error around the z -axis as shown in Eq. (7):

$$\varepsilon_z = \frac{\varepsilon_{z1} + \varepsilon_{z2} + \varepsilon_{z3}}{3} \quad (7)$$

The relation shown in Eq. (8) may be used to calculate the translation errors δ_ζ ($\zeta=x,y,z$) at any location around the coupling once the rotation errors ε_x , ε_y and ε_z (in radians) have been calculated.

$$\begin{bmatrix} \delta_x \\ \delta_y \\ \delta_z \\ 1 \end{bmatrix} = \begin{bmatrix} 1 & -\varepsilon_z & \varepsilon_y & \delta_{xc} \\ \varepsilon_z & 1 & -\varepsilon_x & \delta_{yc} \\ -\varepsilon_y & \varepsilon_x & 1 & \delta_{zc} \\ 0 & 0 & 0 & 1 \end{bmatrix} \cdot \begin{bmatrix} x - x_c \\ y - y_c \\ z - z_c \\ 1 \end{bmatrix} - \begin{bmatrix} x - x_c \\ y - y_c \\ z - z_c \\ 0 \end{bmatrix} \quad (8)$$

4. Estimation of positioning accuracy allowed by the kinematic coupling

In this section, the analyses carried out to assess the positioning accuracy of the coupling are presented, and their results are discussed. In particular, the methodology shown in the section 3 was applied to estimate position and orientation errors for different loading conditions. The study represents a preliminary investigation aimed at implementing such a coupling system in a practical scenario, that is the laser-cutting machine presented in section 2, therefore, all the analyses have been performed only at simulation level. To achieve realistic results, however, parameters from the actual machine have been considered when available, otherwise they have been estimated (as the overall expected mass of the coupling elements). The parameters considered for the simulations are listed below:

- cart's payload: 450 kg;
- overall mass of the cart, coupling elements included: 300 kg;
- loading area on the cart: 1.1 m x 1.1 m;
- target positioning accuracy: 0.02 mm.

For each simulation, errors δ_ζ and ε_ζ ($\zeta=x,y,z$) were estimated, as well as the Hertzian stress ratio σ/σ_{Hz} .

The initial analysis looked at system deformations by taking into account objects of various weights put on the cart and placed at its center of gravity. This investigation was required to determine if the target repeatability could be obtained even under the most extreme load. Figure 6 shows the findings of this investigation. The displacement at the center of gravity is entirely vertical, since the cart and coupling centroids are coincident, and equivalent to about 0.006 mm when using a weight of 4500 N, which represents the anticipated payload. The stress ratio σ/σ_{Hz} for this condition results equal to about 45%.

To emphasize the impact of load eccentricity on the overall accuracy, the location of the external load was then altered. In this study, it was shifted along the y axis (see Fig. 4 for reference), as allowed by the symmetry of the kinematic coupling triangle. Figure 7 shows the results of this analysis. Ball element 1 has a larger maximum σ/σ_{Hz} than that found for balls 2 and 3. The higher stress ratio is attained when the weight is placed directly on the ball 1 (58%), but when the midpoint between balls 2 and 3 is taken into account, stress ratio is lowered to 34%. The trends for 2 and 3 are overlapping, as seen in Fig. 7b, due to the symmetry.

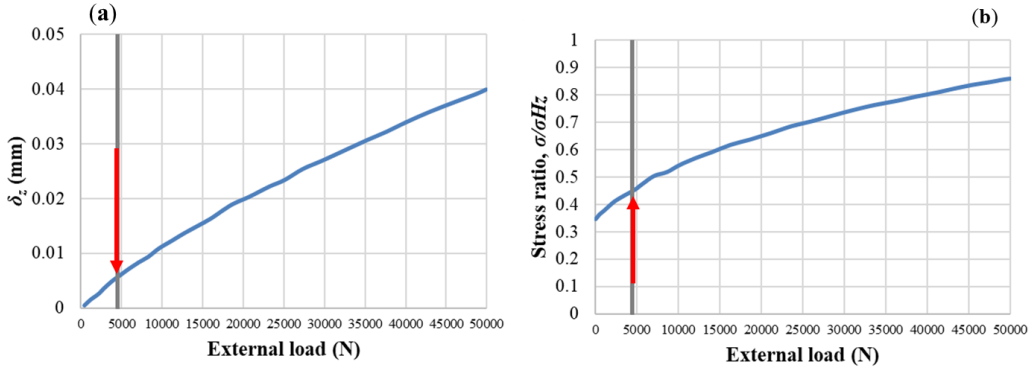


Figure 6. Vertical deflection (a) and Hertzian stress ratio (b) obtained when increasing external load is applied at the center of gravity of the cart. Arrows directed to the point corresponding to cart’s payload.

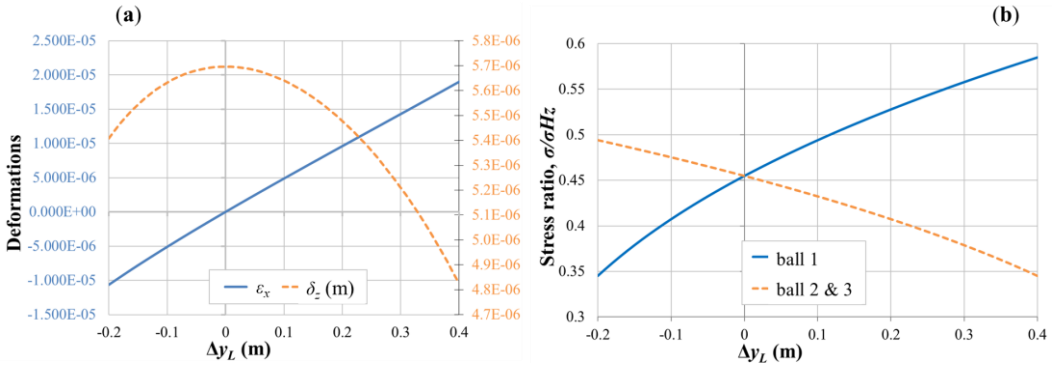


Figure 7. Rotation and vertical deflections (a) and Hertzian stress ratios (b) for several locations of the external load on the cart. Δy_L represents the deviation from the centroid of the coupling and of the cart.

According to Fig. 7a, the total deformation along the z-axis varies by the order of one thousandth of a millimeter. However, it should be noted that the deformation varies locally on the spheres. By examining each ball separately, the greatest vertical deformation at ball 1 is calculated to be 0.0114 mm, which is in any case less than the limit of 0.02 mm. It is also confirmed the impact of rotation about the x-axis. Indeed, the rotation error ϵ_x decreases as the external load approaches the coupling’s center of gravity. When the force is applied directly to ball 1, the maximum ϵ_x of $1.9e-5$ is used, yielding an overall displacement of 0.0143 mm, hence still acceptable for this application.

Although being still lower than 0.02 mm, positioning error results significantly affected by eccentric location of the external load. This aspect is critical for the robustness and reliability of the solution, hence the effect of load balancing on the system has been evaluated in the final analysis. At the risk of increased bulkiness and weight of the system, it is expected to improve the precision of the coupling for most of the loading conditions. By balancing the moments exerted on the system made up of the cart and the coupling elements, it was possible to estimate the counterweight’s field of action, leading to the outcome shown in Fig. 8. The counterweight, which has plant view measurements of 0.34 m x 0.2 m, is a 50-kilogram cast iron industrial weight.

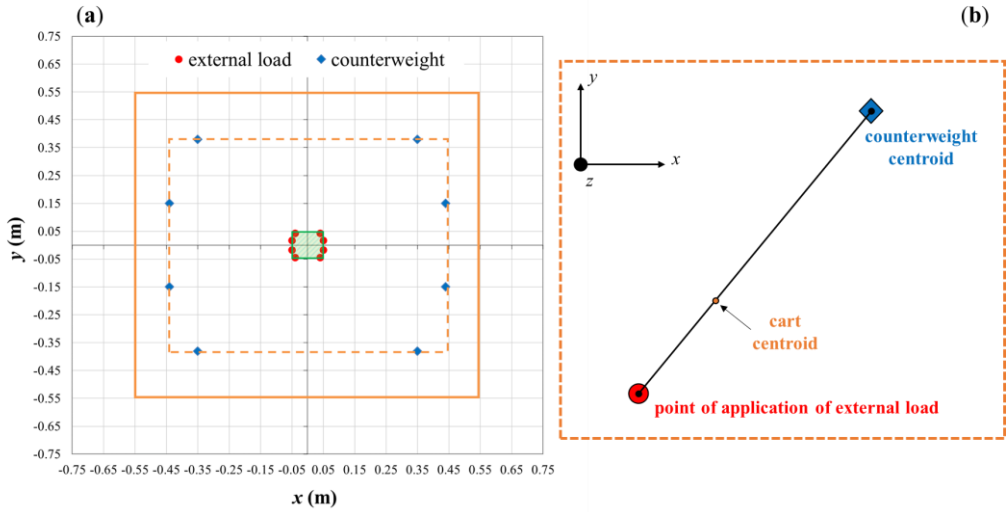


Figure 8. (a) Space of action of the counterweight: thick line denotes the cart, and dashed line denotes the area within the counterweight has to be contained in order to avoid obstructions with surrounding elements. The green-dot area represents the space available to the external load's point of application that still results in perfect balancing. (b) The relative positioning of external load, cart and counterweight centroids in an explanatory configuration.

The size and weight of the chosen counterweight determine how large is the green region visible in Fig. 8a. By making the deformations on the spheres consistent, balancing compensates the rotational errors that would otherwise be worsened by shifting away from the coupling's centroid. Figure 9 shows the resulting deflections and rotation errors obtained for the unbalanced and balanced conditions. The deformations δ_z and ε_x are always lower than that obtained for the unbalanced case: even by considering the largest errors shown in Fig. 9b, the maximum accuracy error results equal to 0.0138 mm.

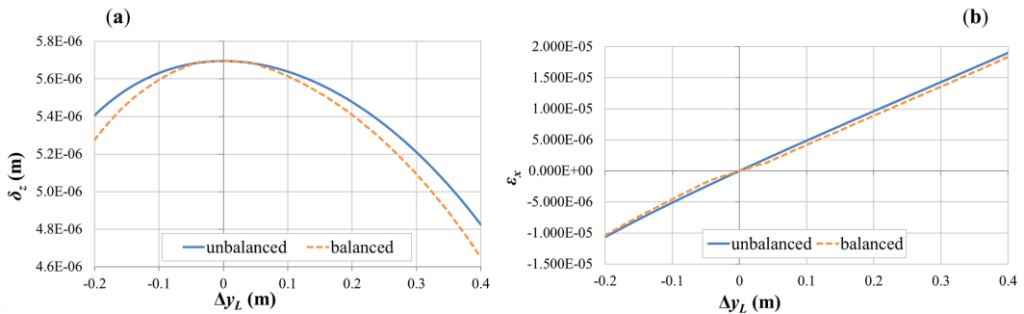


Figure 9. Vertical deflection (a) and rotation error about the x axis (b) for unbalanced and balanced conditions. Δy_L represents the deviation from the centroid of the coupling and of the cart.

5. Conclusion

This paper deals with the implementation of a kinematic coupling in a robotized laser-cutting machine aimed at improving the accuracy and repeatability of workpieces' positioning. A three-groove coupling architecture has been adopted for this purpose, **whose feasibility and efficacy have been studied at theoretical level.**

The process for estimating the positioning error was outlined, starting with the system's physical properties and the implementation of Hertz's theory. The investigation took into account the machine's usual loading circumstances, which include unbalanced weights put on the cart in use. The coupling systems has shown to ensure positioning accuracy with errors smaller than 0.02 mm at each location, as needed by the application, under every test condition. The study has been carried out at simulation level, therefore, the practical implementation will be objective of future works. However, the results presented in this work support the adoption of such system to improve the overall performance of the machine.

In addition to the lack of experimental data, other limitations of the current study are related to the phenomena that have been neglected for the sake of simplicity. In particular, friction between the contact surfaces affects the repeatability of the coupling. Ceramic materials allow for minimized coefficients of friction, in addition to improved performance in terms of corrosion. Therefore, they might represent a good solution in terms of increased repeatability. On the other hand, coupling elements manufactured in steel can improve the mechanical performance and lower the costs of manufacturing.

Given the difficulty in modeling friction effects, experimental tests in a real scenario will be necessary to assess the exact repeatability allowed by the kinematic coupling, for instance on realistic scale model. The same approach might be necessary to assess the effect of surface texture and lubricants on the accuracy and repeatability of this solution.

Author Contributions. Carlo Ferraresi and Carlo De Benedictis conceived and designed the study, Carlo De Benedictis wrote the original draft of the article, Carlo Ferraresi edited and reviewed the article.

Financial Support. This research received no specific grant from any funding agency, commercial or not-for-profit sectors.

Conflicts of Interest. The authors declare no conflicts of interest exist.

Ethical Approval. Not applicable.

References

- [1] R.R. Vallance, C. Morgan and A.H. Slocum, "Precisely positioning pallets in multi-station assembly systems," *Precision Engineering* **28**, 218–231 (2004). doi: 10.1016/j.precisioneng.2002.11.003.
- [2] A.H. Slocum, "Precision Machine Design," Prentice-Hall, Inc., Englewood Cliffs, New Jersey (1992).
- [3] M.L. Culpepper, "Design of quasi-kinematic couplings," *Precision Engineering* **28**, 338–357 (2004). doi: 10.1016/j.precisioneng.2002.12.001.
- [4] L.C. Hale and A.H. Slocum, "Optimal design techniques for kinematic coupling," *Precision Engineering* **25**, 114–127 (2001). doi: 10.1016/S0141-6359(00)00066-0.
- [5] M.L. Culpepper, M.V. Kartik and C. DiBiasio, "Design of integrated eccentric mechanisms and exact constraint fixtures for micron-level repeatability and accuracy," *Precision Engineering* **29**, 65–80 (2005). doi: 10.1016/j.precisioneng.2004.05.007.
- [6] A.H. Slocum, "Kinematic couplings: A review of design principles and applications," *International Journal of Machine Tools and Manufacture* **50**, 310–327 (2010). doi: 10.1016/j.ijmactools.2009.10.006.
- [7] A.H. Slocum, "Kinematic couplings for precision fixturing—Part I: Formulation of design parameters," *Precision Engineering* **10**, 85–931 (1988). doi: 10.1016/0141-6359(88)90005-0.
- [8] A.H. Slocum, L. Muller and D. Braunstein, "Flexural mount kinematic couplings and method," US Patent No. US5678944A (2005).

- [9] A.H. Slocum and A. Domnez, “Kinematic couplings for precision fixturing — Part 2: Experimental determination of repeatability and stiffness,” *Precision Engineering* **10**, 115–122 (1988). doi: 10.1016/0141-6359(88)90029-3.
- [10] C. De Benedictis and C. Ferraresi, “Study of a Three-Groove Kinematic Coupling for Precise Positioning in a Robotized Laser-Cutting Machine,” *Advances in Service and Industrial Robotics* **120**, 264–271 (2022). doi: 10.1007/978-3-031-04870-8_31.
- [11] Prima Industrie S.p.A. Homepage, <https://www.primaindustrie.com/it>, last accessed 2022/01/31.
- [12] A.H. Slocum, “Design of three-groove kinematic couplings,” *Precision Engineering* **14**, 67–76 (1992). doi: 10.1016/0141-6359(92)90051-W.
- [13] L.C. Hale, “Testing the limiting coefficient of friction with an adjustable 3-V kinematic coupling,” *Precision Engineering* **64**, 200–209 (2020). doi: 10.1016/j.precisioneng.2020.04.003.
- [14] R.J. Roark and W.C. Young, “Formulas for Stress and Strain 5th ed.,” McGraw-Hill Book Co., New York (1975).