

Limit-cycle free digitally controlled power converter

Original

Limit-cycle free digitally controlled power converter / Abdullah, Ahmed; Crovetto, Paolo; Musolino, Francesco. - ELETTRONICO. - (2021). (52nd Annual Meeting of the Associazione Società Italiana di Elettronica (SIE) Trieste 7-9.07.2021).

Availability:

This version is available at: 11583/2917472 since: 2021-08-06T18:16:53Z

Publisher:

SIE Società Italiana di Elettronica

Published

DOI:

Terms of use:

This article is made available under terms and conditions as specified in the corresponding bibliographic description in the repository

Publisher copyright

(Article begins on next page)

Limit-cycle Free Digitally Controlled Power Converter

Ahmed Abdullah, Paolo S. Croveti, Francesco Musolino

Department of Electronics and Telecommunications (DET), Politecnico di Torino, Torino, Italy
ahmed.abdullah@polito.it, francesco.musolino@polito.it, paolo.crovetti@polito.it

Control of switch-mode power converters is nowadays preferably performed digitally due to more advantages, but digitally controlled converters could cause steady-state limit-cycle oscillations (LCOs) due to inherent quantization effect of analog to digital converter (ADC) and digital pulse width modulator (DPWM), that are a major concern. The mitigation of these problems has been a topic of extensive research and design guidelines for LCO-free operation have been formulated, i.e., the resolution of DPWM should be higher than that of ADC [1], (i.e., $N_{DPWM} > N_{ADC}$). Meeting above guideline, unfortunately, results either in a limited DC accuracy and/or in increased cost and complexity especially for converters operating at high switching frequency (MHz range).

In this proposed work, an innovative technique intended to increase the resolution of the DPWM for LCO-free operation is analysed and experimentally evaluated. More precisely, the novel Dyadic Digital PWM (DDPWM) is adopted as a systematic approach to achieve accurate LCO-free operation in a digital control converter at negligible cost by effectively increasing the resolution of DPWM [2].

A DC-DC Boost converter is considered to validate the approach proposed in the work. The converter is operated efficiently over a range of the input voltages in continuous-conduction-mode (CCM) and supply a constant current to the external load. The voltage mode (VM) digital PID control algorithm is considered. The block diagram is shown in Fig.1. The design specifications are listed in Table 1.

Referring to the HDL implementation of the digital controller (i.e., PID compensator and DDPWM controller), the obtained values of K_p , K_i and K_d are scaled and quantized for $N_{ADC} = 4$ bits and $N_{DPWM} = 8$ bit. The value obtained from PID compensator is separated in $N = 4$ MSB's given to DPWM and $M = 4$ LSB's given to DDPM as shown in figure 2. The DDPWM output, which architecture is shown in Fig.2, is a square wave signal whose duty cycle is modulated between two adjacent quantized levels is then used to drive switches of the boost converter. Simulation tools, i.e., Simulink and Modelsim are used for the simulation of boost converter and digital controller, respectively.

It is shown in Fig.3 that, in case of only-DPWM there is low frequency limit-cycle oscillations at the output voltage v_o , The 4-bit duty cycle is not constant since controller is not able to drive error to zero-error bin [3]. While in case of DDPWM (see Fig.4), there is no limit-cycles oscillations at output voltage. The 8-bit duty-cycle is constant since controller is now able to drive output to zero-error bin.

More details and results will be given in the oral presentation.

References

- [1] A.V.Peterchev, S.R. Sanders, "Quantization Resolution and Limit Cycling in Digitally Controlled PWM Converters", IEEE Transactions on Power Electronics, Vol. 8, No. 1, pp. 301-308, Jan. 2003.
- [2] P.S. Croveti, "All-Digital High Resolution D/A Conversion by Dyadic Digital Pulse Modulation", IEEE Transactions on Circuits and Systems I: Regular Papers, Vol. 63, No. 3, pp. 573-584, March. 2017
- [3] L.Corradini, D. Maksimovic, P.Mattavelli, R.Zane, "Digital Control of High-Frequency Switched-mode Power Converters", Wiley-IEEE Press, 2015.

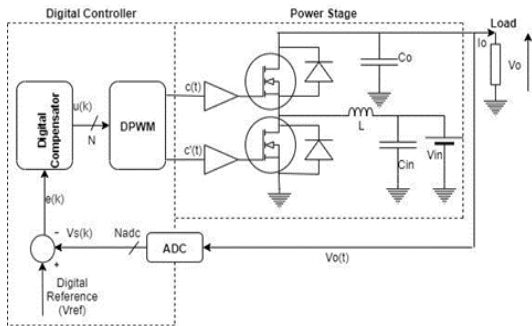


Figure 1 - Block Diagram of Boost Converter and PID Controller

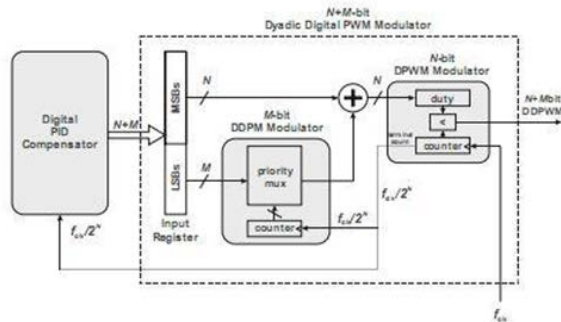


Figure 2 - DDPWM Architecture

Input Voltage V_{in}	7 – 10 Volts
Output Voltage V_o	12 Volts
Input Capacitor C_{in}	1 μ F, $r_c = 2m\Omega$
Inductor L	900nH, $r_L = 8m\Omega$
MOSFET R_{on}	24m Ω
Diode R_{on}	24m Ω
Output Capacitor C_o	3 μ F, $r_c = 40m\Omega$
Load Resistor R_L	25 Ω – 30 Ω

Table 1 - Boost Converter specifications

clock frequency f_{clk}	50 MHz
switching frequency f_{sw}	3.125 MHz
K_p	[0110111]
K_i	[01001011101]
K_d	[010100001111]
N_{ADC}	5
$N_{DPWM} + N_{DDPM}$	4 + 4

Table 2 - Digital Controller Specifications

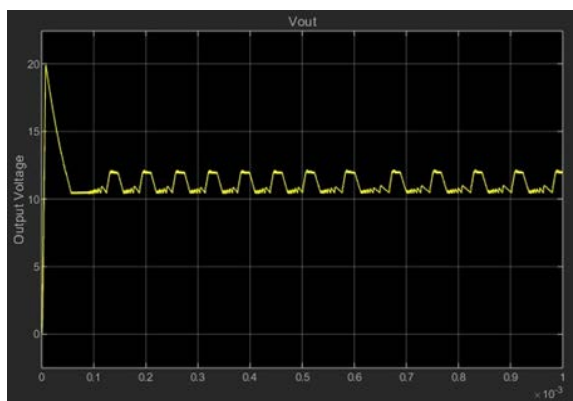


Figure 3 - Boost converter output Voltage v_o with DPWM showing LCOs

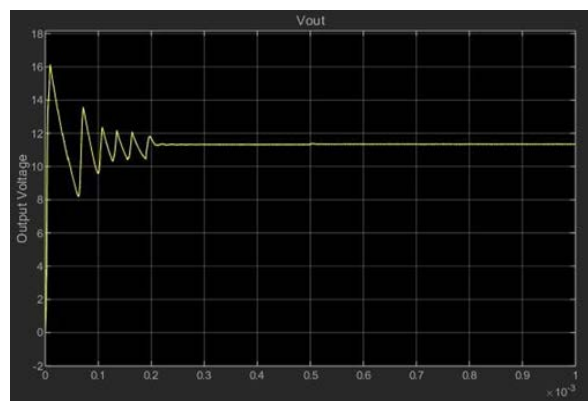


Figure 4 - Boost converter output Voltage v_o with DDPWM with no LCOs