

Calibration setup for ultralow-current transresistance amplifiers

Original

Calibration setup for ultralow-current transresistance amplifiers / Finardi, I., Callegaro, L.. - STAMPA. - (2017), pp. 774-778. (2017 IEEE International Instrumentation and Measurement Technology Conference (I2MTC 2017) Torino 22-25 Maggio 2017).

Availability:

This version is available at: 11583/2681594 since: 2017-10-02T11:31:06Z

Publisher:

IEEE International Instrumentation and Measurement Society

Published

DOI:

Terms of use:

This article is made available under terms and conditions as specified in the corresponding bibliographic description in the repository

Publisher copyright

(Article begins on next page)

Calibration setup for ultralow-current transresistance amplifiers

Ilaria Finardi*[†] and Luca Callegaro*

*INRIM - Istituto Nazionale di Ricerca Metrologica, Torino, Italy, Email: i.finardi@inrim.it

[†]Politecnico di Torino, Torino, Italy

Abstract—We describe a calibration setup for the transresistance of low-current amplifiers, based on the capacitance-charging method. The calibration can be performed in the current range of typical interest for electron counting experiments. The setup implementation is simple and rugged, and is suitable to be embedded in larger experiments where the amplifier is employed. The calibration is traceable to units of capacitance and of time. The base relative accuracy of the implementation is in the 10^{-5} range.

I. INTRODUCTION

In the future revision of the International System of Units (SI) [1] the unit of electrical current, the ampere, will be redefined in terms of the elementary charge e . The value of e , presently $1.602\,176\,620\,8(98) \times 10^{-19}$ C [2], will be defined as exact (that is, with zero uncertainty). Electron counting experiments [3]–[5] will allow the practical realization of the ampere [6].

The currents generated in these experiments are typically below 1 nA range, and thus must be amplified by large factors (10^3 to 10^5) to be exploited for metrology purposes. The amplification can be performed either with large-ratio cryogenic current comparators [7], [8], or with dedicated current amplifiers [9], [10]. During the development of the experiments, ultralow-current transresistance amplifiers [11]–[13] are commonly employed. The typical transresistance gain R ranges from G Ω to several T Ω . A traceable gain calibration of these amplifiers allows to verify the fundamental relation $I = nef$, where I is the current generated from single electron devices, f the electron counting frequency, and n is the integer number of electrons counted for each cycle (n ranges from 1 to 3).

In the following, we describe a calibration setup for the transresistance gain of ultralow-current amplifiers based on the capacitance-charging method [14]–[21]. The method allows to produce accurate dc currents in the range 100 fA to 100 pA and is insensitive to nonidealities of the input stage of current amplifiers, such as voltage burden and finite input resistance. Currents can be generated with typical relative uncertainties in the 10^{-5} range [14]–[16]; the performances of different measurement setups based on the method have been verified in an international intercomparison [22].

The setup here proposed allows to perform a calibration of the transresistance gain R of a current amplifier traceable to the capacitance of a gas-dielectric capacitor C , and the period T of a low-frequency timebase. The setup configuration is

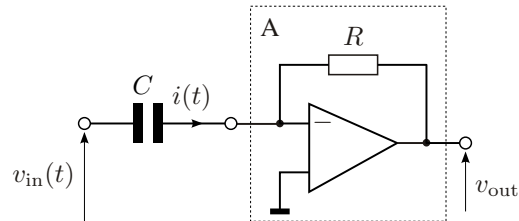


Fig. 1. Principle schematic diagram of the calibration setup, as described in Sec. II. The current $i(t)$ is generated from voltage $v_{in}(t)$ by the injection capacitor C ; the amplifier A, with transresistance R (here ideally associated to its feedback resistance) generates the output voltage $v_{out}(t)$.

simple and compact, and it is possible to embed the entire setup within the main electron counting experiments, and thus achieve quasi-in-line calibrations of R .

An example of calibration of a specific amplifier model (FEMTO mod. DDPCA-300), popular in electron counting experimental setups [11]–[13] and other nanophysics experiments [23]–[25], is given. For this amplifier, the setup allows to calibrate the nominal transresistance gain of 10 G Ω with a relative uncertainty of about 30×10^{-6} .

II. PRINCIPLE OF OPERATION

The operating principle of the calibration setup is shown in Fig. 1. Voltage $v_{in}(t)$ is applied to a differentiating capacitor to generate the test current $i(t)$

$$i(t) = C \frac{dv_{in}(t)}{dt} \quad (1)$$

The amplifier A, of which the transresistance gain R has to be calibrated, generates an output voltage $v_{out}(t) = Ri(t)$, hence the relation

$$R^{-1} = C \left(\frac{1}{v_{out}(t)} \frac{dv_{in}(t)}{dt} \right) \quad (2)$$

holds.

Equation (1) shows that the generation of a constant current value I can be performed with a linear voltage ramp $v_{in}(t) = Kt$, where K is a constant voltage slope. In the steady state regime, the constant voltage burden on A (due to its nonideal input impedance, and to offsets) does not alter the ramp slope and hence the value of I .

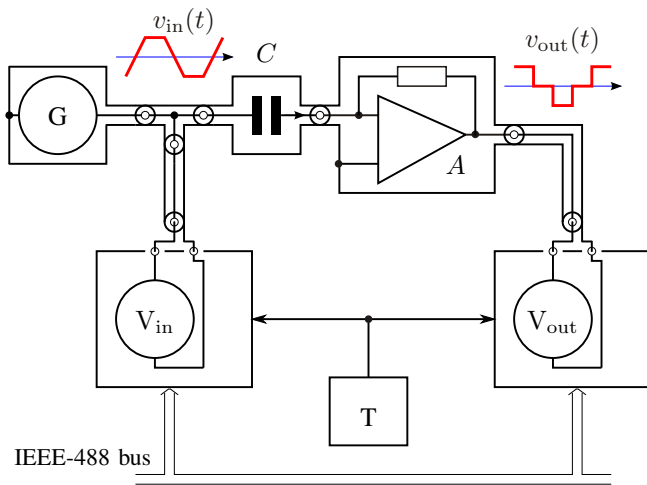


Fig. 2. Schematic diagram of the calibration setup, see Sec. III-A for a description. A pictorial representation of the waveforms of $v_{in}(t)$ and $v_{out}(t)$ is also shown.



Fig. 3. A photo of the calibration setup corresponding to the schematic diagram of Fig. 2. G is on the bottom left; C and A in the center; V_{in} on top left; V_{out} on the right. A detail of C and A is given in Fig. 4.

Equation (2) shows that the traceability of the measurement of R is given by C , a timebase, and a voltage *ratio*; therefore, absolute voltage traceability is not required.¹

III. IMPLEMENTATION

A. Setup

The schematic diagram of the calibration setup is shown in Fig. 2, and photo of the same is given in Fig. 3. The source G generates the voltage $v_{in}(t)$, which is applied to the capacitor C . The capacitor generates the test current $i(t)$, in agreement with Eq. (1). This test current is injected into the transresistance amplifier A to be calibrated. Both the input voltage $v_{in}(t)$ and the output voltage $v_{out}(t)$ are sampled at regular intervals by the voltmeters V_{in} and V_{out} , synchronized

¹The method here proposed is a derivation of a method developed for the calibration of low-current meters [16], [21], where a proper traceability of the v_{in} measurement was however necessary.



Fig. 4. Detail of setup, showing the direct connection (no cable) of the injection capacitor C (on the left) to the transresistance amplifier A (center of the picture) to minimize currents related to the dielectric absorption in the connection insulators.

since they share the same trigger signal T. The samples of $v_{in}(t)$ and $v_{out}(t)$ are acquired with an interface bus (IEEE-488) for off-line processing.

As shown in Fig. 3, the whole circuit is wired by coaxial leads. To reduce possible effects of dielectric absorption, C and A are connected directly, without any cable, as can be seen in Fig. 4.

The waveform shape of $v_{in}(t)$ generated by G has a symmetric trapezoidal shape, with a very long period, as can be seen in Fig. 5. This specific shape has three different slopes: positive, negative and zero; these slopes correspond to three different nominal calibration current values $+I_{nom}$, $-I_{nom}$ and $I = \pm 0$. The test current $I = \pm 0$ allows to determine the offset of A in the course of the measurement.

B. Instruments employed

1) *Ramp generator*: G is a purposely-built voltage source. The generated signal $v_{in}(t)$ has a maximum span of ± 10 V, and the ramp sections of the trapezoidal waveform have a slope of $\approx \pm 0.1$ V s⁻¹ (adjustable). The positive and negative voltage ramp phases have a duration of ≈ 200 s each; the phases of constant voltage also have a duration of ≈ 200 s. Hence, the total period of one $v_{in}(t)$ cycle is ≈ 800 s. The source is based on analog electronics; it is battery-powered and free-running (thus requiring no control signal), in order to achieve complete galvanic isolation and help to reduce the interferences in the calibration circuit. The source output is generated by an analog pure integrator, which is driven by a three-state (positive, zero, negative) constant current source of adjustable amplitude. The loss in the integrating dielectric capacitor are compensated with an active feedback network, which is manually adjusted in order to achieve the maximum linearity of the voltage ramps. A more complete description of the source is given in Ref. [16].

2) *Injection capacitor*: C has to be a gas-dielectric (or vacuum) capacitance standard, because all solid-dielectric ca-

TABLE I
INJECTION CAPACITORS EMPLOYED IN THE CALIBRATION SETUP, LISTED
BY NOMINAL CAPACITANCE C_{nom} .

C_{nom}	Model
1 pF	General Radio mod. 1403-K
10 pF	Sullivan mod. C80001
100 pF	Sullivan mod. C80002
1000 pF	General Radio mod. 1404-A [26]

capacitors show the phenomenon of dielectric absorption [27], which give deviations from Eq. 1. For the current range investigated, commercial standard capacitors having nominal values C_{nom} in the range 1 pF to 1000 pF are adequate. The specific models employed are listed in Table I. The capacitors have been modified to employ low-dielectric-absorption connectors (Teflon insulation); for the same reason, the solid-dielectric trimming capacitors have been removed.

The value of C is measured as a two terminal-pair standard [28, Ch. 2] with a commercial capacitance bridge (Andeen-Hagerling mod. 2500A) at the frequency of 1 kHz. The calibration is traceable to the Italian national standard of electrical capacitance.

3) *Voltmeters*: V_{in} is an Agilent mod. 3458A multimeter, whose acquisition is in dc sampling mode, with the autozero and autorange functions disabled. V_{out} is an Agilent mod. 34401A multimeter, also configured for dc sampling. Both these voltmeters are in external trigger mode, and are synchronously triggered by a precision timer T, at the sampling frequency of ≈ 950 mHz. All samples are acquired via the IEEE-488 bus and off-line processed. Although not required by the proposed method (see discussion in Sec. II), the voltmeters are routinely calibrated, with traceability to the Italian national standard of dc voltage.

IV. EXAMPLE OF CALIBRATION

A. Device under test

The calibration setup has been tested with a FEMTO mod. DDPCA-300 transresistance amplifier A. The amplifier has a nominal transresistance range R_{nom} manually switchable from 10 k Ω to 10 T Ω and is specified to be stable for capacitance at the input up to 10 nF, therefore for all capacitance standards of Tab. I. The voltage output span is ± 10 V; the current noise is dependent on R_{nom} and reaches 200 aA Hz $^{-\frac{1}{2}}$ in the highest gain ranges. The specified accuracy of R_{nom} is $\pm 1\%$ with a temperature coefficient of 3×10^{-4} K $^{-1}$. The amplifier has a configurable output lowpass filter; all measurements reported have been performed in the so-called *full bandwidth* (dc to 400 Hz) mode.

B. Measurements

The setup has been employed to calibrate the transresistance nominal settings $R_{\text{nom}} = 10$ G Ω , 100 G Ω , 1 T Ω and 10 T Ω of A. All measurements have been performed in a shielded

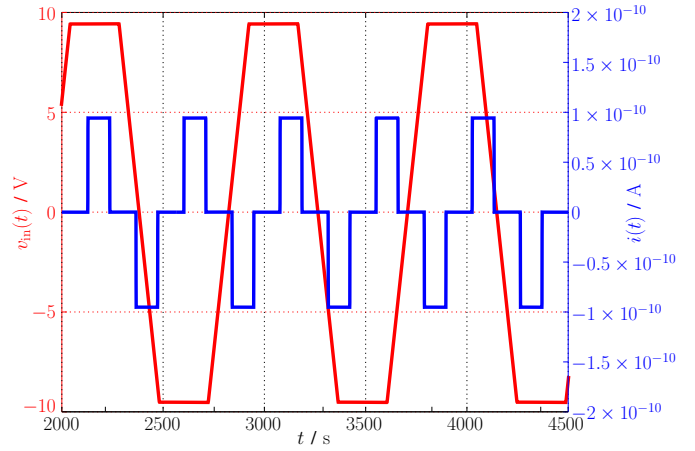


Fig. 5. The outcome of a typical measurement ($R_{\text{nom}} = 10$ G Ω , $C_{\text{nom}} = 1$ nF, $I_{\text{nom}} = 95$ pA). Red line (—) is the trapezoidal ramp signal $v_{\text{in}}(t)$; blue line (—) is the test current $i(t)$. The sign of $i(t)$ is determined by the sign of the slope of $v_{\text{in}}(t)$; when $v_{\text{in}}(t)$ is constant, $i(t) = 0$.

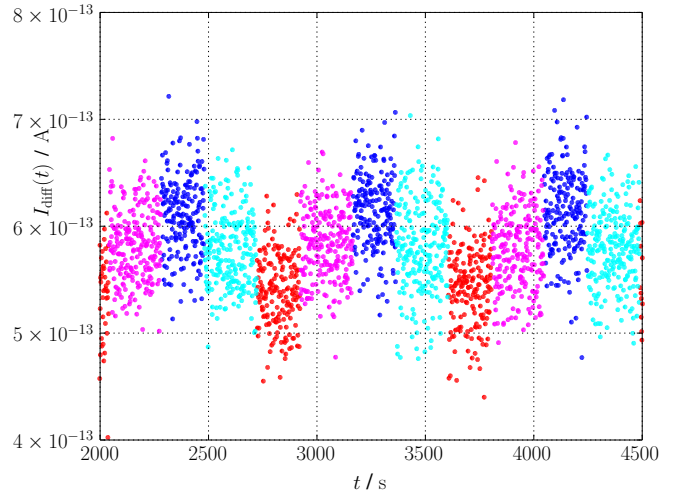


Fig. 6. Time sequence of the amplifier equivalent error the input $\Delta i(t)$ (see Sec. IV for the definition). The four different dot colors correspond to the four different phases of $v_{\text{in}}(t)$. \bullet corresponds to v_{in} positive ramp slope, and to $i(t) = +I_{\text{nom}}$. \bullet negative ramp slope, $i(t) = -I_{\text{nom}}$. \bullet $v_{\text{in}}(t)$ constant positive, $i(t) = +0$. \bullet $v_{\text{in}}(t)$ constant negative, $i(t) = -0$. The offset of A is computed from the average of the $i(t) = +0$ and $i(t) = -0$ phases.

and thermostated ($23.0(5)$ $^{\circ}\text{C}$) room. Each calibration has been achieved by running the system for about 50 cycles of $v_{\text{in}}(t)$, corresponding to a total measurement time of 10 h. The calibration strategy and the related acquisition, data processing software and uncertainty analysis described in [16], [22] apply.

To avoid possible systematic error in the calibration caused by noise clipping, the calibration nominal currents $\pm I_{\text{nom}}$ are chosen to be slightly lower (in absolute value) than the corresponding decadic value. In particular, the I_{nom} values chosen are: ± 0.95 pA, ± 9.5 pA, and ± 95 pA.

The measurement example of Fig 5, Fig. 6 and 7 refer to

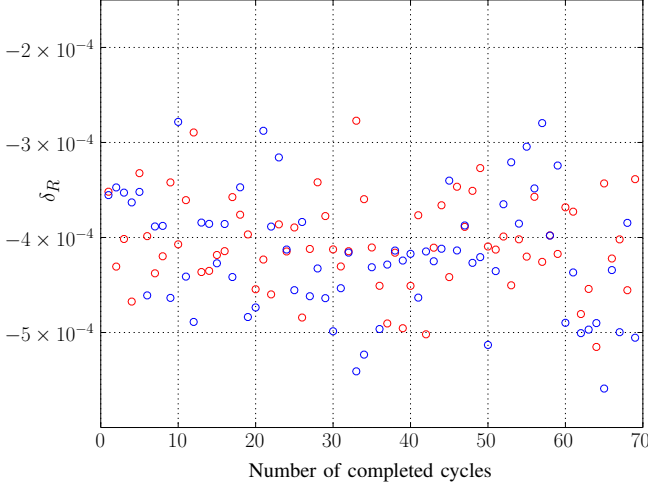


Fig. 7. The amplifier transresistance gain error $\delta R = (R - R_{\text{nom}})/R_{\text{nom}}$ versus measurement time, evaluated for each positive (\circ) and negative (\circ) semicycles of $v_{\text{in}}(t)$.

TABLE II
RESULTS OF THE TRANSRESISTANCE AMPLIFIER CALIBRATION

R_{nom}	I_{nom}	C_{nom}	δR
10 G Ω	95 pA	1 nF	$-4.06(34) \times 10^{-4}$
	-95 pA		$-4.18(36) \times 10^{-4}$
100 G Ω	9.5 pA	100 pF	$-3.06(4) \times 10^{-3}$
	-9.5 pA		$-3.11(4) \times 10^{-3}$
1 T Ω	9.5 pA	100 pF	$-2.90(3) \times 10^{-3}$
	-9.5 pA		$-4.32(3) \times 10^{-3}$
1 T Ω	0.95 pA	10 pF	$-3.29(9) \times 10^{-3}$
	-0.95 pA		$-3.14(7) \times 10^{-3}$
10 T Ω	0.95 pA	10 pF	$-5.77(8) \times 10^{-3}$
	-0.95 pA		$-5.76(6) \times 10^{-3}$
10 T Ω	0.095 pA	1 pF	$-5.83(18) \times 10^{-3}$
	-0.095 pA		$-6.03(2) \times 10^{-3}$

the following calibration conditions: $R_{\text{nom}} = 10 \text{ G}\Omega$, $C_{\text{nom}} = 1 \text{ nF}$, $I_{\text{nom}} = \pm 95 \text{ pA}$.

Fig. 5 shows the time sequence of the samples of $v_{\text{in}}(t)$ (measured by V_{in}) and of $i(t)$ as determined by Eq. (1) over a few measurement cycles.

Fig. 6 displays the amplifier equivalent error at the input $\Delta i(t) = R_{\text{nom}}^{-1} v_{\text{out}}(t) - i(t)$, here defined as the deviation of the current reading $R_{\text{nom}}^{-1} v_{\text{out}}(t)$ (computed from the amplifier voltage output $v_{\text{out}}(t)$ with the nominal transresistance R_{nom}), and the calibration current $i(t)$.

Fig. 7 shows the transresistance gain relative deviation from nominal $\delta R = (R - R_{\text{nom}})/R_{\text{nom}}$ evaluated for each positive and negative semicycles of $v_{\text{in}}(t)$. The mean and the standard deviation of the two time series give the calibration outcome for the two different nominal current signs.

C. Outcome of the calibration

The outcome of the calibration for different test currents and nominal transresistance of the amplifier is reported in Tab. II. For the nominal transresistance values $R_{\text{nom}} = 1 \text{ T}\Omega$ and $10 \text{ T}\Omega$ the calibration is performed with two different test currents. For $R_{\text{nom}} = 1 \text{ T}\Omega$ significant differences occur between the δR values obtained with different current magnitudes and sign; these discrepancies deserve further investigation.

V. CONCLUSIONS AND OUTLOOK

The proposed setup can calibrate the transresistance gain of amplifier suitable for the measurement of ultralow-valued dc currents. The uncertainty achieved is one or two order of magnitudes better than the corresponding manufacturer specifications. The calibration uncertainties reported is still preliminary, however the calibration accuracy is one-two orders of magnitude better than the typical manufacturer accuracy specifications. A complete uncertainty budget will be reported at the Conference.

The method is simple and can be embedded in an electron-counting experiment with relative ease. As Eq. 2 shows, the method requires traceability to capacitance and time units, since it involves only voltage ratios: this opens the possibility of further simplification in the measurement setup, by performing voltage ratio measurements with a single, two-channel sampling instrument which would not require absolute voltage calibration. This alternative setup is presently under investigation, and will be reported at the Conference.

VI. ACKNOWLEDGMENTS

The authors are indebted with Vincenzo D'Elia, INRIM, for help in the realization of the measurement setup; and with Luca Croin, INRIM, for the photographic material.

REFERENCES

- [1] Bureau International des Poids et Mesures, "The International System of Units," Dec 2015, draft of the 9th SI Brochure. [Online]. Available: www.bipm.org
- [2] P. J. Mohr, D. B. Newell, and B. N. Taylor, "CODATA recommended values of the fundamental physical constants: 2014," 30 Jul 2015, arXiv:1507.07956 [physics.atom-ph]. [Online]. Available: arxiv.org
- [3] S. Giblin, M. Kataoka, J. Fletcher, P. See, T. Janssen, J. Griffiths, G. Jones, I. Farrer, and D. Ritchie, "Towards a quantum representation of the ampere using single electron pumps," *Nat. Commun.*, vol. 3, p. 930, 2012.
- [4] J. P. Pekola, O.-P. Saira, V. F. Maisi, A. Kemppinen, M. Möttönen, Y. A. Pashkin, and D. V. Averin, "Single-electron current sources: Toward a refined definition of the ampere," *Rev. Mod. Phys.*, vol. 85, no. 4, p. 1421, 2013.
- [5] J. P. Pekola, J. J. Vartiainen, M. Möttönen, O.-P. Saira, M. Meschke, and D. V. Averin, "Hybrid single-electron transistor as a source of quantized electric current," *Nature Phys.*, vol. 4, no. 2, pp. 120–124, 2008.
- [6] CCEM WGS1, "Mise en pratique for the ampere and other electric units in the International System of units (SI)," 2009, draft 1. [Online]. Available: www.bipm.org
- [7] F. Gay, F. Piquemal, and G. Geneves, "Ultralow noise current amplifier based on a cryogenic current comparator," *Rev. Sci. Instrum.*, vol. 71, no. 12, pp. 4592–4595, 2000.
- [8] D. Drung, M. Götz, E. Pesel, and H. Scherer, "Improving the traceable measurement and generation of small direct currents," *IEEE Trans. Instrum. Meas.*, vol. 64, no. 11, pp. 3021–3030, 2015.

TABLE III
 UNCERTAINTY BUDGET FOR $R_{\text{nom}} = 10 \text{ G}\Omega$, $C_{\text{nom}} = 1 \text{ nF}$, $I_{\text{nom}} = \pm 95 \text{ pA}$.

	Source	Contribution to $u_c(\delta R)$	Type
	C calibration, temperature dependence	3.0×10^{-5}	B
	V_{in} sampling	5.0×10^{-6}	B
	Timebase T accuracy	1.0×10^{-6}	B
	C current leakages	1.0×10^{-5}	B
$I_{\text{nom}} = +95 \text{ pA}$	Reading noise	3.4×10^{-5}	A
$I_{\text{nom}} = -95 \text{ pA}$	Reading noise	3.7×10^{-5}	A
$I_{\text{nom}} = +95 \text{ pA}$	$u_c(\delta R) =$	3.4×10^{-5}	RSS
$I_{\text{nom}} = -95 \text{ pA}$	$u_c(\delta R) =$	3.5×10^{-5}	RSS

- [9] D. Drung, C. Krause, U. Becker, H. Scherer, and F. Ahlers, "Ultrastable low-noise current amplifier: A novel device for measuring small electric currents with high accuracy," *Rev. of Sci. Instrum.*, vol. 86, no. 2, p. 024703, 2015.
- [10] D. Drung, C. Krause, S. P. Giblin, S. Djordjevic, F. Piquemal, O. Séron, F. Rengnez, M. Götz, E. Pesel, and H. Scherer, "Validation of the ultrastable low-noise current amplifier as travelling standard for small direct currents," *Metrologia*, vol. 52, no. 6, p. 756, 2015.
- [11] J. Lehtinen, "Quantum fluctuations in superconducting nanostructures," Ph.D. dissertation, iSBN: 978-951-39-5688-9. [Online]. Available: <http://www.jyu.fi/static/fysiikka/vaitoskirjat/2014/Lehtinen-Janne-2014.pdf>
- [12] A. Rossi, T. Tantt, K. Y. Tan, I. Iisakka, R. Zhao, K. W. Chan, G. C. Tettamanzi, S. Rogge, A. S. Dzurak, and M. Möttönen, "An accurate single-electron pump based on a highly tunable silicon quantum dot," *Nano lett.*, vol. 14, no. 6, pp. 3405–3411, 2014.
- [13] E. Mykkänen, J. Lehtinen, A. Kemppinen, C. Krause, D. Drung, J. Nissilä, and A. Manninen, "Reducing current noise in cryogenic experiments by vacuum-insulated cables," *arXiv:1604.03903*, 2016.
- [14] G.-D. Willenberg, H. N. Tauscher, and P. Warnecke, "A traceable precision current source for currents between 100 nA and 10 pA," *IEEE Trans. Instr. Meas.*, vol. 52, no. 2, pp. 436–439, Apr. 2003.
- [15] H. van den Brom, P. de la Court, and G. Rietveld, "Accurate subpicoampere current source based on a differentiating capacitor with software-controlled nonlinearity compensation," *IEEE Trans. Instr. Meas.*, vol. 54, no. 2, pp. 554–558, Apr. 2005.
- [16] L. Callegaro, V. D'Elia, and B. Trinchera, "A current source for picoammeter calibration," *IEEE Trans. Instr. Meas.*, vol. 56, no. 4, pp. 1198–1201, Aug. 2007.
- [17] N. E. Fletcher, S. P. Giblin, J. M. Williams, and K. J. Lines, "New capability for generating and measuring small DC currents at NPL," *IEEE Trans. Instr. Meas.*, vol. 56, no. 2, pp. 326–330, Apr. 2007.
- [18] I. Iisakka, K. Kalliomaki, J. Seppala, and A. Manninen, "Subpicoampere current source based on a digital-to-analog converter," in *Conference on Precision Electromagnetic Measurements (CPEM) Digest*, Broomfield, CO, USA, Jun 8-13 2008, pp. 352–353.
- [19] G.-D. Willenberg and H. N. Tauscher, "Novel digital voltage ramp generator for use in precision current sources in the picoampere range," *IEEE Trans. Instr. Meas.*, vol. 58, no. 4, pp. 756–760, Apr. 2009.
- [20] T. Bergsten, K.-E. Rydler, O. Gunnarsson, G. Eklund, and V. Tarasso, "A precision current source using $\Delta-\Sigma$ modulation," *IEEE Trans. Instr. Meas.*, vol. 60, no. 7, pp. 2341–2346, July 2011.
- [21] L. Callegaro, P. P. Capra, V. D'Elia, and F. Galliana, "Generation of reference DC currents at 1 nA level with the capacitance charging method," *IEEE Trans. Instr. Meas.*, vol. 63, no. 7, pp. 1779–1782, Jul. 2014.
- [22] G.-D. Willenberg, "EUROMET.EM-S24: Supplementary comparison of small current sources," *Metrologia*, vol. 50, no. 1A, p. 01002, 2013.
- [23] R. S. Popovic and M. Lany, "Electrical measurements in nanotechnology using single electron bipolar avalanche transistors," in *Proc. MIEL*. IEEE, 2010, pp. 51–56.
- [24] R. Klein, R. Thornagel, G. Brandt, and D. Herzog, "Accurate measurement of small electron beam currents at the mls electron storage ring," in *Proc. IBIC2013, Pittsburgh, Pennsylvania, USA*, 2-6 June 2013, pp. 903–906.
- [25] G. Cheng, J. P. Veazey, P. Irvin, C. Cen, D. F. Bogorin, F. Bi, M. Huang, S. Lu, C.-W. Bark, S. Ryu *et al.*, "Anomalous transport in sketched nanostructures LaAlO₃/SrTiO₃ at the interface," *Phys. Rev. X*, vol. 3, no. 1, p. 011021, 2013.
- [26] J. Hersh, "A highly stable reference standard capacitor," *General Radio Experim.*, vol. 37, no. 8, pp. 1–8, 1963.
- [27] R. A. Pease, "Understand capacitor soakage to optimize analog systems," *Electronic Design*, pp. 125–129, 1982.
- [28] L. Callegaro, *Electrical impedance: principles, measurement, and applications*, ser. in Sensors. Boca Raton, FL, USA: CRC press: Taylor & Francis, 2013, iSBN: 978-1-43-984910-1.